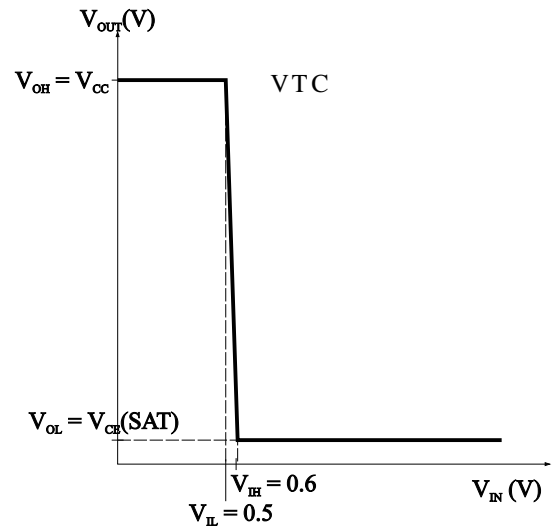
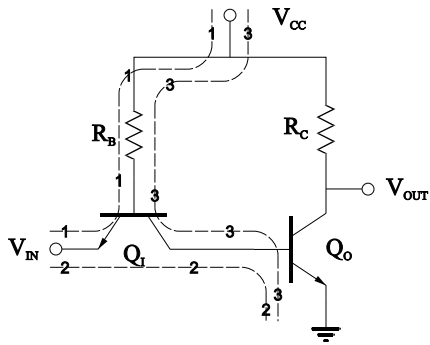
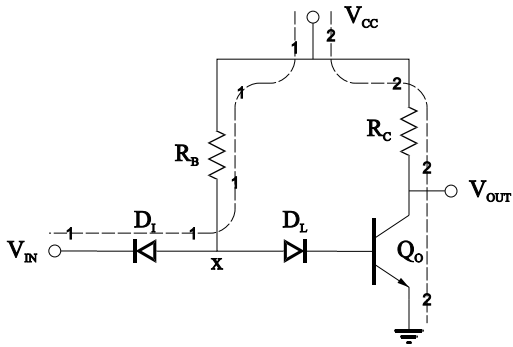


TRANSISTOR TRANSISTOR LOGIC CIRCUITS

Basic TTL Inverter



Basic DTL Inverter (compare)



Actual TTL NAND Gate

Basic TTL NAND Gate

