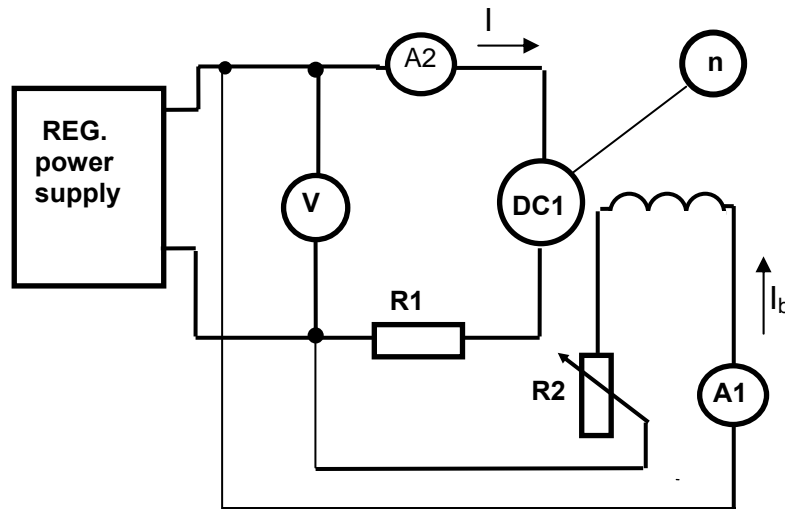


B Task:

To measure the regulating characteristics $n = f(I_b)$; and $I = f(I_b)$ - for DC-motor the separate excitation (or shunt excitation), with ; by the **constant** loading torque M for the **various** voltage power supply V . (The constant loading torque is realised, either by means of the mechanical losses of the machinery set; and either the rotor resistor 18Ω , about).

$R_1=18\Omega$, $R_2=1200\Omega$

Diagram:



I_b	0,2	0,18	0,16	0,14	0,12	0,1	0,08	0,06
$V_1=70V$								
$I_1[A]$								
$V_2=60V$								
$I_2[A]$								
$V_3=50V$								
$I_3[A]$								

C Task:

To set – the DC-machine brushes – into the **magnetic neutral** position. Diagram – see: Electrical Machines and Drives page 92 – the measurement No. 5 . (only in Czech : as - **Elektrické stroje a pohony str. 92 měření 5**).