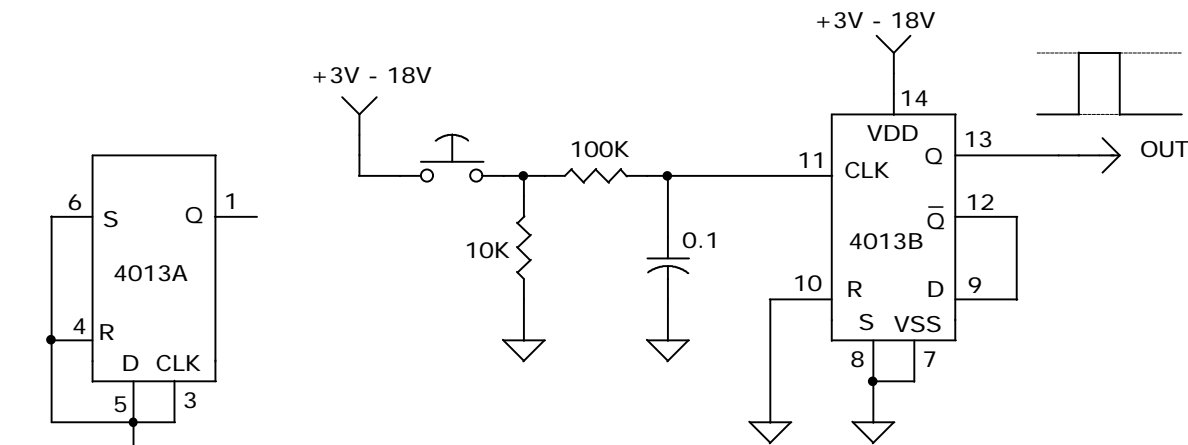


ONE-SHOT FUNCTION

ONE PULSE GENERATED WITH EACH PUSH OF THE BUTTON



ON/OFF LATCHED FUNCTION

OUTPUT TOGGLES ON AND OFF WITH EACH BUTTON PUSH

DRAWN BY: DAVE JOHNSON

CD4013 ONE-SHOT AND LATCH CIRCUITS

DAVID JOHNSON AND ASSOCIATES		
D-FLIP/FLOP ONE-SHOT AND LATCHED CIRCUITS		
Size A	Document Number 4013ONESHOTS.DSN	Rev A
Date:	Tuesday, March 26, 2002	Sheet 1 of 1