



ON Semiconductor®

<http://onsemi.com>

High Resolution Digital Dimmer

APPLICATION NOTE

INTRODUCTION

Phase Control with Thyristors

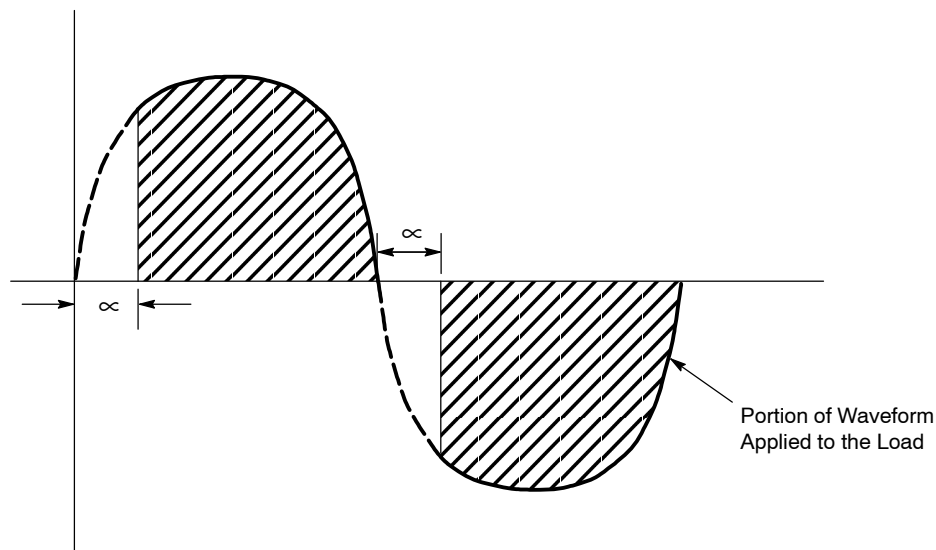
An effective and widely used method of controlling the average power to a load through a triac is by phase control. Phase control is a method of utilizing the triac to apply the ac supply to the load for a controlled fraction of each cycle. In this mode of operation, the triac is held in an off or open condition at a time in the half cycle determined by the control circuitry. In the on condition, the circuit current is limited only by the load i.e., the entire line voltage (less the forward drop of the triac) is applied to the load.

As one might expect, in spite of its usefulness, phase control has some disadvantages. The main disadvantage in

using phase control in triac applications is the generation of electromagnetic interference (EMI). Each time the triac is triggered the load current rises from zero to the load limited current value in a very short time. The resulting di/dt generates a wide spectrum of noise that may interfere with the operation of nearby electronic equipment unless proper filtering is used.

The following figure shows the function of the phase control.

Phase Control of AC Waveform



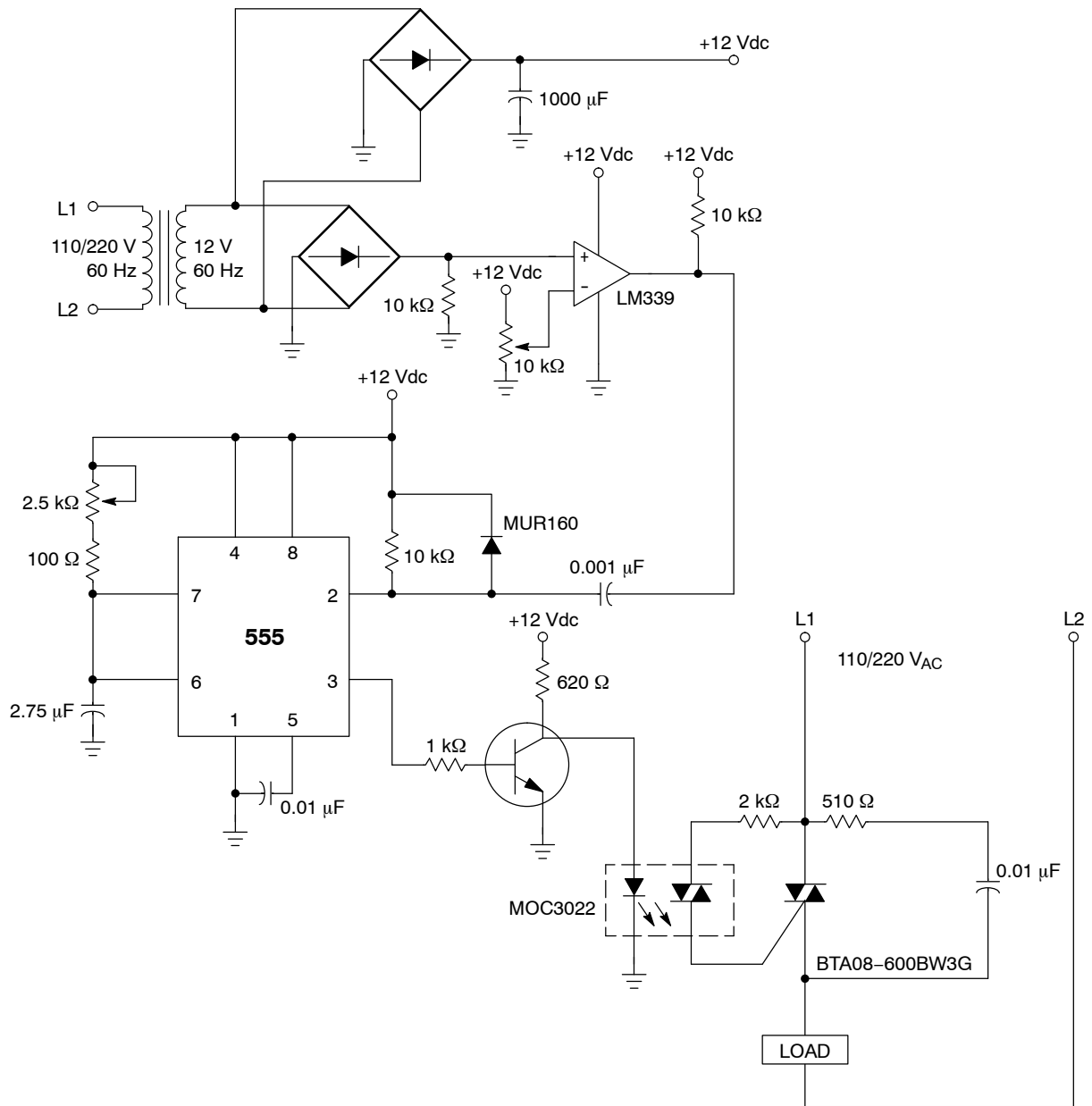
The above figure illustrates the concept of the phase control. During the first portion of each half cycle of the ac sine wave, an electronic switch is opened to prevent the current flow. At some specified phase angle (Alpha), this switch is closed to allow the full line voltage to be applied

to the load for the remainder of that half cycle. Varying Alpha will control the portion of the total sine wave that is applied to the load (shaded area), and thereby regulate the power flow to the load.

AND8011/D

The following schematic diagram shows a digital dimmer with phase control from 10% to 95% of the ac sine wave.

DIGITAL DIMMER



AND8011/D

In the previous diagram, the operational amplifier (LM339) is performing a zero crossing function, and due to this, the integrated circuit (555) is being activated each time a zero crossing condition occurs. Therefore, once this integrated circuit (555) is activated (due to a zero crossing condition), it will wait a short delay time before it activates the transistor and in turn the triac BTA08-600BW3G. Due to this delay time, the triac BTA08-600BW3G will be activated at different points (phase angles) of each half-cycle of the ac sine wave, so the load is going to receive only a portion of the current waveform which is determined for the kind of delay time set. This delay time is selected by the adjustable resistor, in this example, 2.5 k Ω . It is able to control almost 100% of the complete ac sine wave.

On the other hand, the kind of triac to be used in the dimmer circuit is determined by the load characteristics taking into consideration the current, voltage, power, and its physical characteristics (inductive or resistive load). Therefore, it is very important to select the proper triac according to the load requirements.

In conclusion, the Digital Dimmer described in this application note offers a very reliable control phase (from 10% to 95% of the ac sine wave). It can be a very useful and inexpensive option for lighting applications or one phase motor speed controls or any other kind of application circuits where a reliable control phase is needed. Nevertheless, it is important to mention that the main disadvantage of using phase control in the application circuits is the generation of electromagnetic interference (EMI). Therefore, proper filtering needs to be used in order to eliminate the EMI phenomena, otherwise the noise would interfere with the operation of nearby electronic equipment. Another factor that is important to take into consideration, is extreme environmental temperatures could cause poor operation of the dimmer and thus the wrong phase control for the load. Therefore, it is necessary that the designer determine under what conditions would the dimmer need to operate in order to make the proper calculations of the electronic devices according to those needs.

ON Semiconductor and **ON** are registered trademarks of Semiconductor Components Industries, LLC (SCILLC). SCILLC reserves the right to make changes without further notice to any products herein. SCILLC makes no warranty, representation or guarantee regarding the suitability of its products for any particular purpose, nor does SCILLC assume any liability arising out of the application or use of any product or circuit, and specifically disclaims any and all liability, including without limitation special, consequential or incidental damages. "Typical" parameters which may be provided in SCILLC data sheets and/or specifications can and do vary in different applications and actual performance may vary over time. All operating parameters, including "Typicals" must be validated for each customer application by customer's technical experts. SCILLC does not convey any license under its patent rights nor the rights of others. SCILLC products are not designed, intended, or authorized for use as components in systems intended for surgical implant into the body, or other applications intended to support or sustain life, or for any other application in which the failure of the SCILLC product could create a situation where personal injury or death may occur. Should Buyer purchase or use SCILLC products for any such unintended or unauthorized application, Buyer shall indemnify and hold SCILLC and its officers, employees, subsidiaries, affiliates, and distributors harmless against all claims, costs, damages, and expenses, and reasonable attorney fees arising out of, directly or indirectly, any claim of personal injury or death associated with such unintended or unauthorized use, even if such claim alleges that SCILLC was negligent regarding the design or manufacture of the part. SCILLC is an Equal Opportunity/Affirmative Action Employer. This literature is subject to all applicable copyright laws and is not for resale in any manner.

PUBLICATION ORDERING INFORMATION

LITERATURE FULFILLMENT:

Literature Distribution Center for ON Semiconductor
P.O. Box 5163, Denver, Colorado 80217 USA
Phone: 303-675-2175 or 800-344-3860 Toll Free USA/Canada
Fax: 303-675-2176 or 800-344-3867 Toll Free USA/Canada
Email: orderlit@onsemi.com

N. American Technical Support: 800-282-9855 Toll Free
USA/Canada
Europe, Middle East and Africa Technical Support:
Phone: 421 33 790 2910
Japan Customer Focus Center
Phone: 81-3-5773-3850

ON Semiconductor Website: www.onsemi.com

Order Literature: <http://www.onsemi.com/orderlit>

For additional information, please contact your local Sales Representative