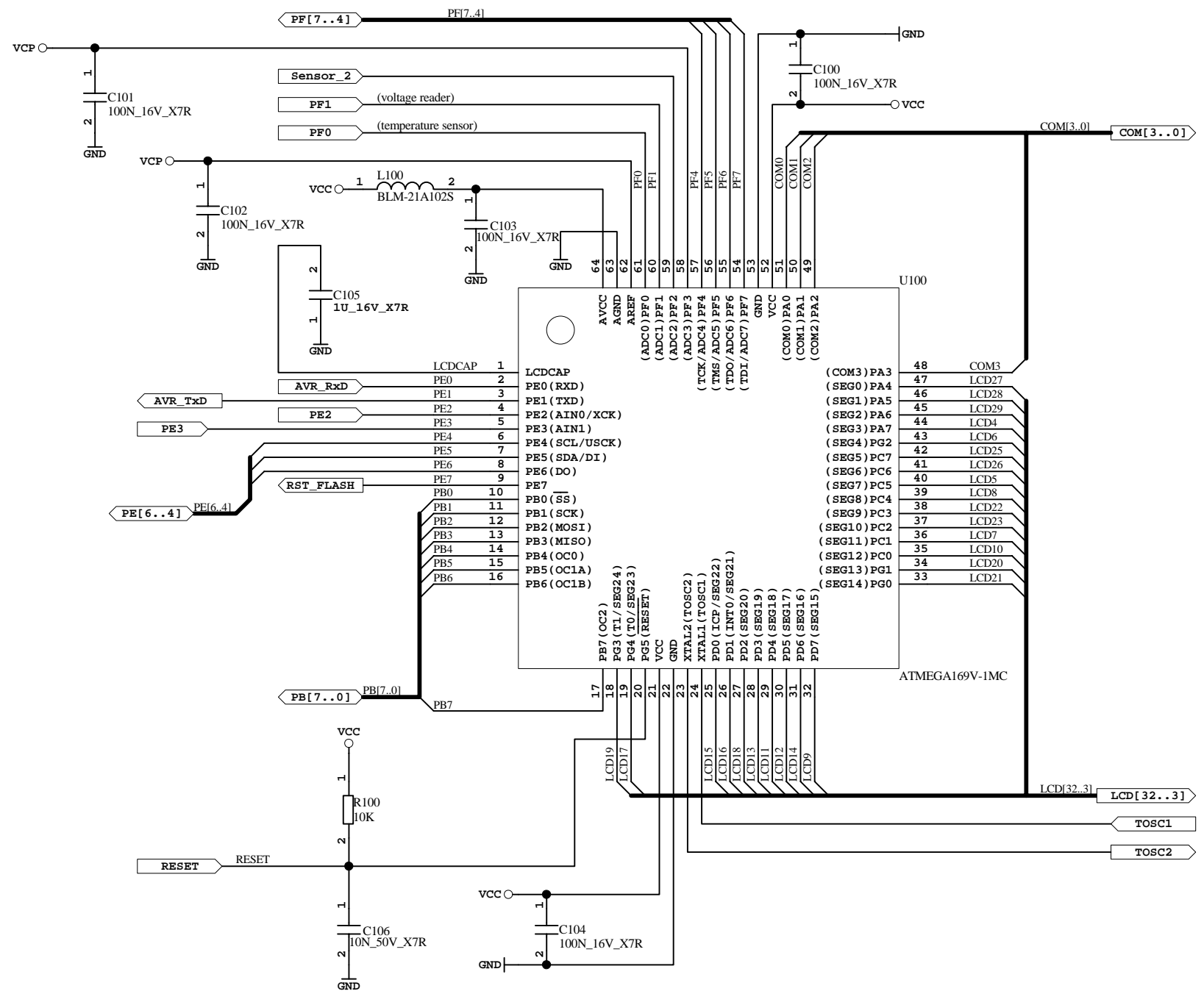
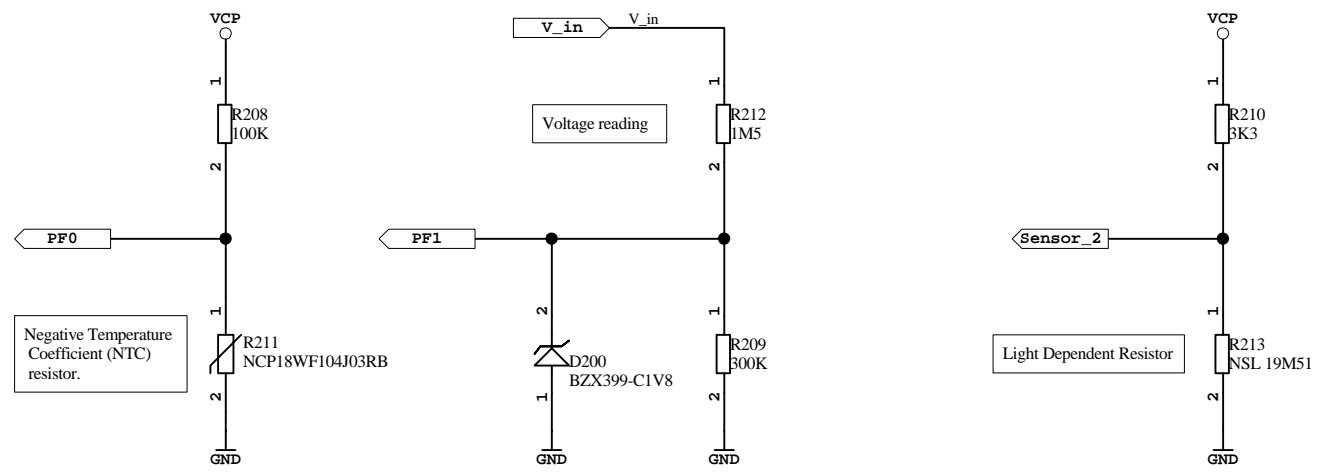
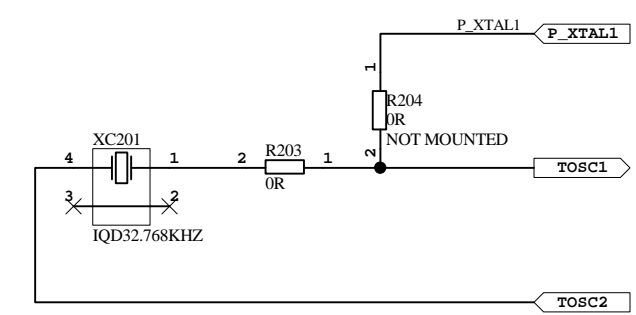
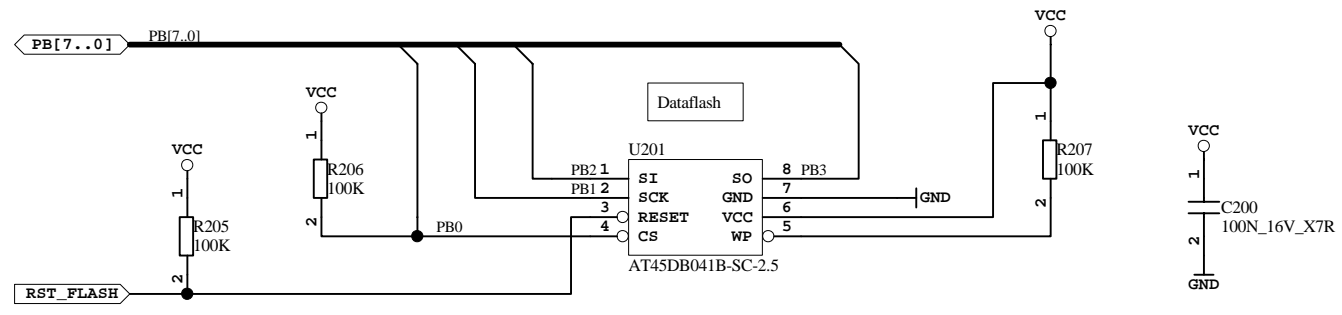
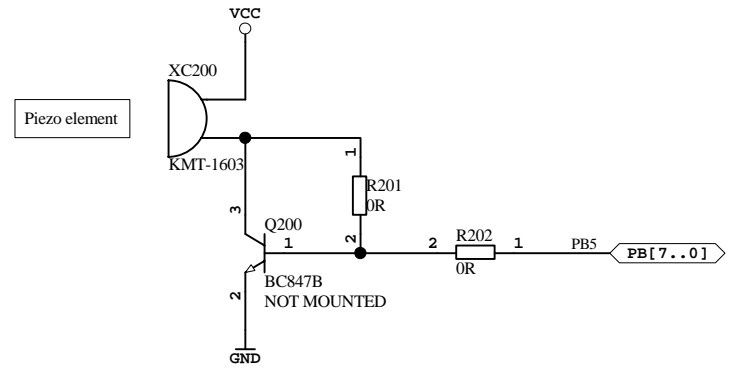
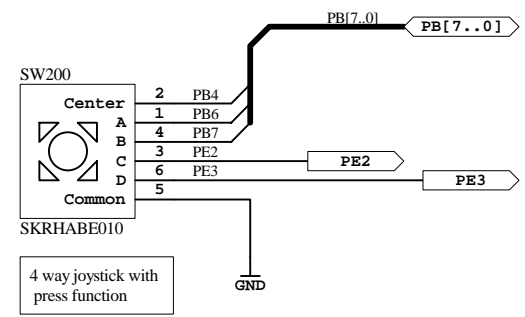
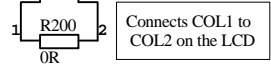
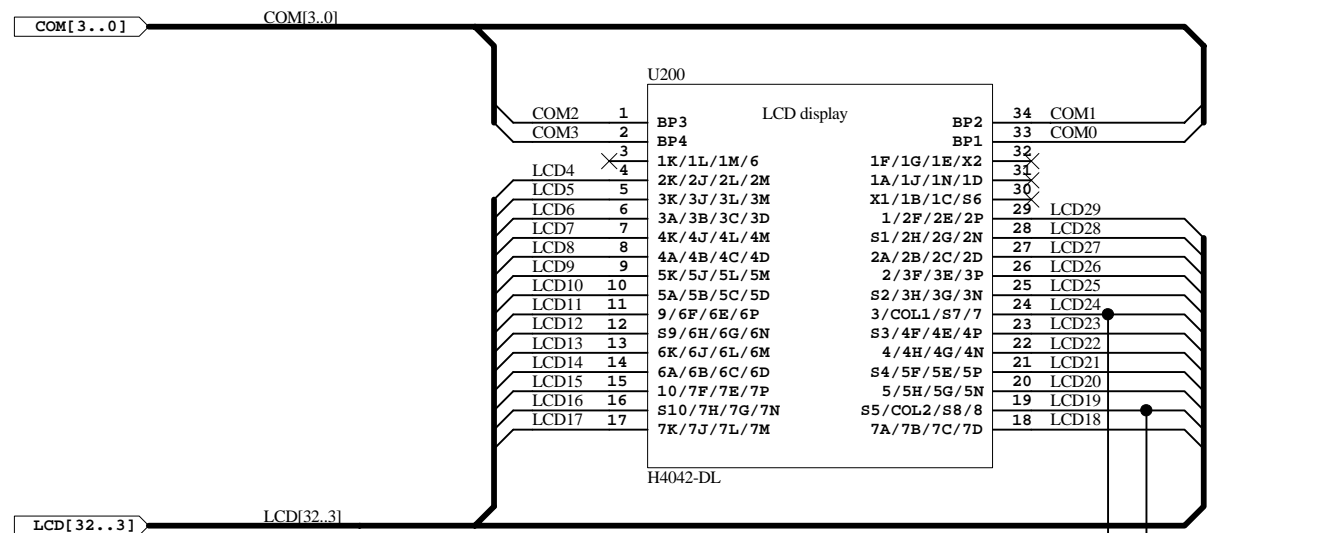


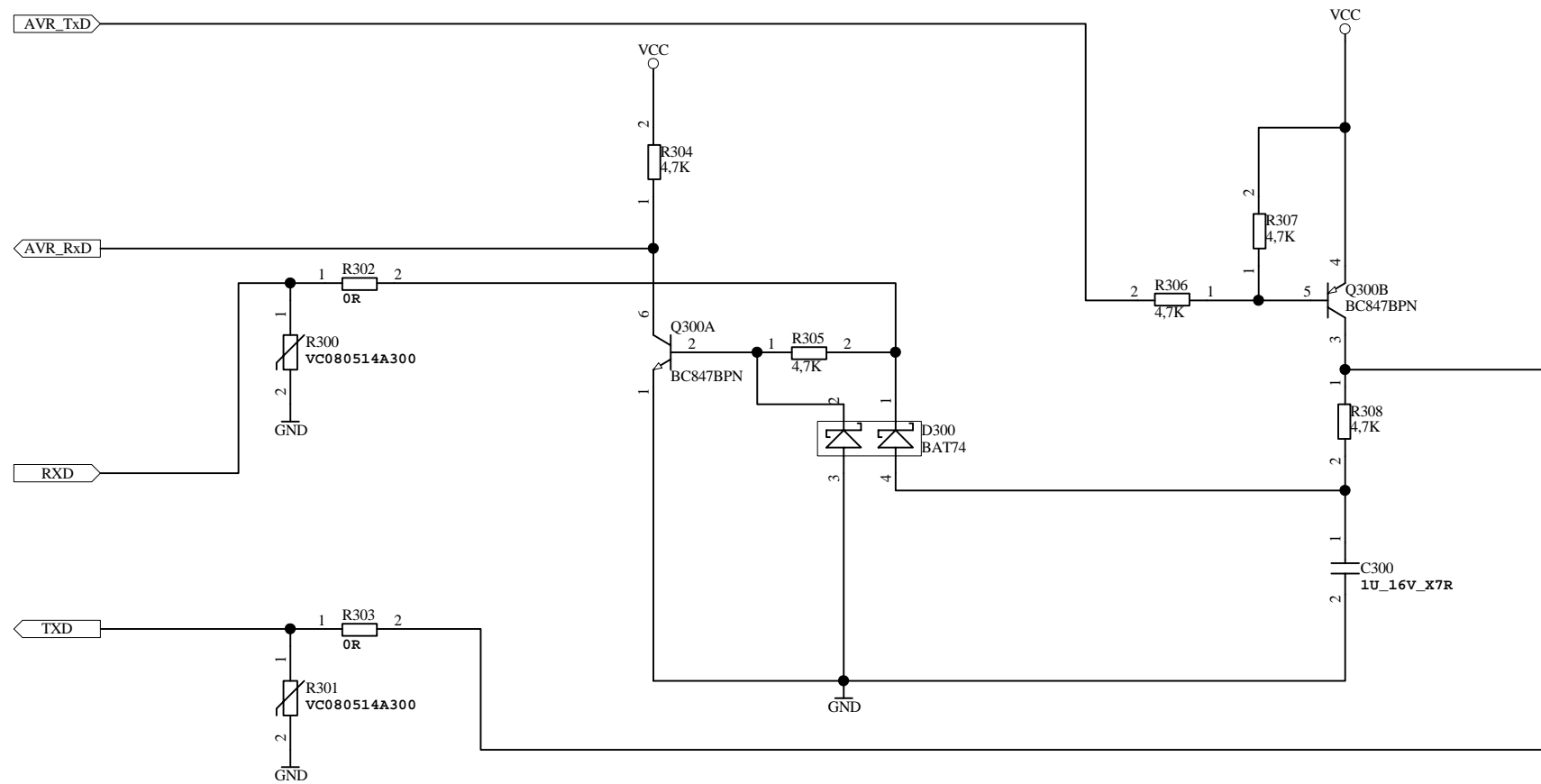
ATMEL Norway				
Vestre Rosten 79,				
7075 TILLER				
NORWAY				PAGE: 1 of 6
Date:	28-Jan-2003	12:34:59	Revision: A	
Document number:	A0301.3.1000.A		Revision: A	
TITLE: AVR Butterfly				
AVR Butterfly.Sch				



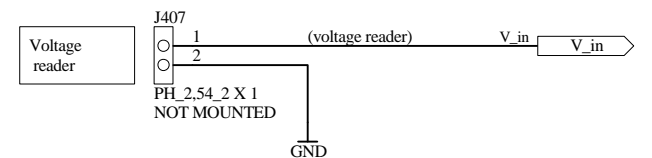
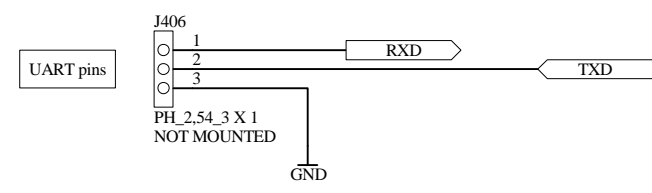
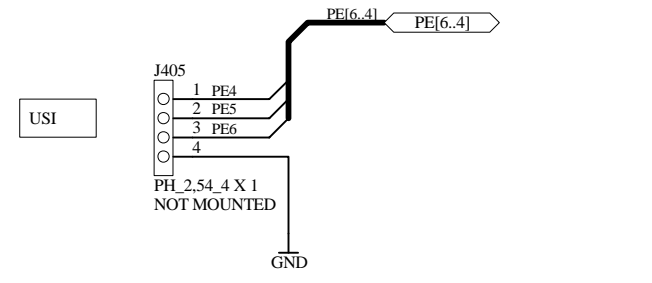
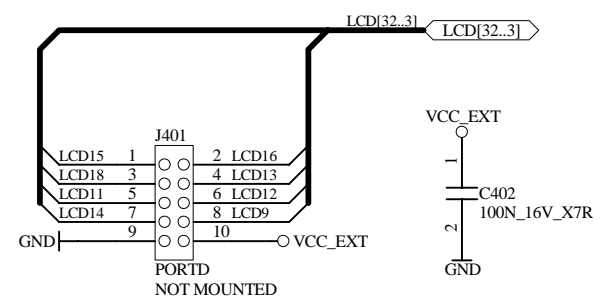
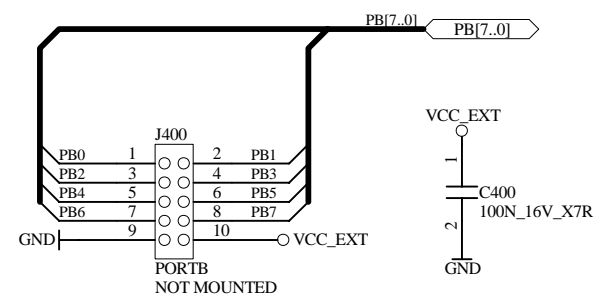
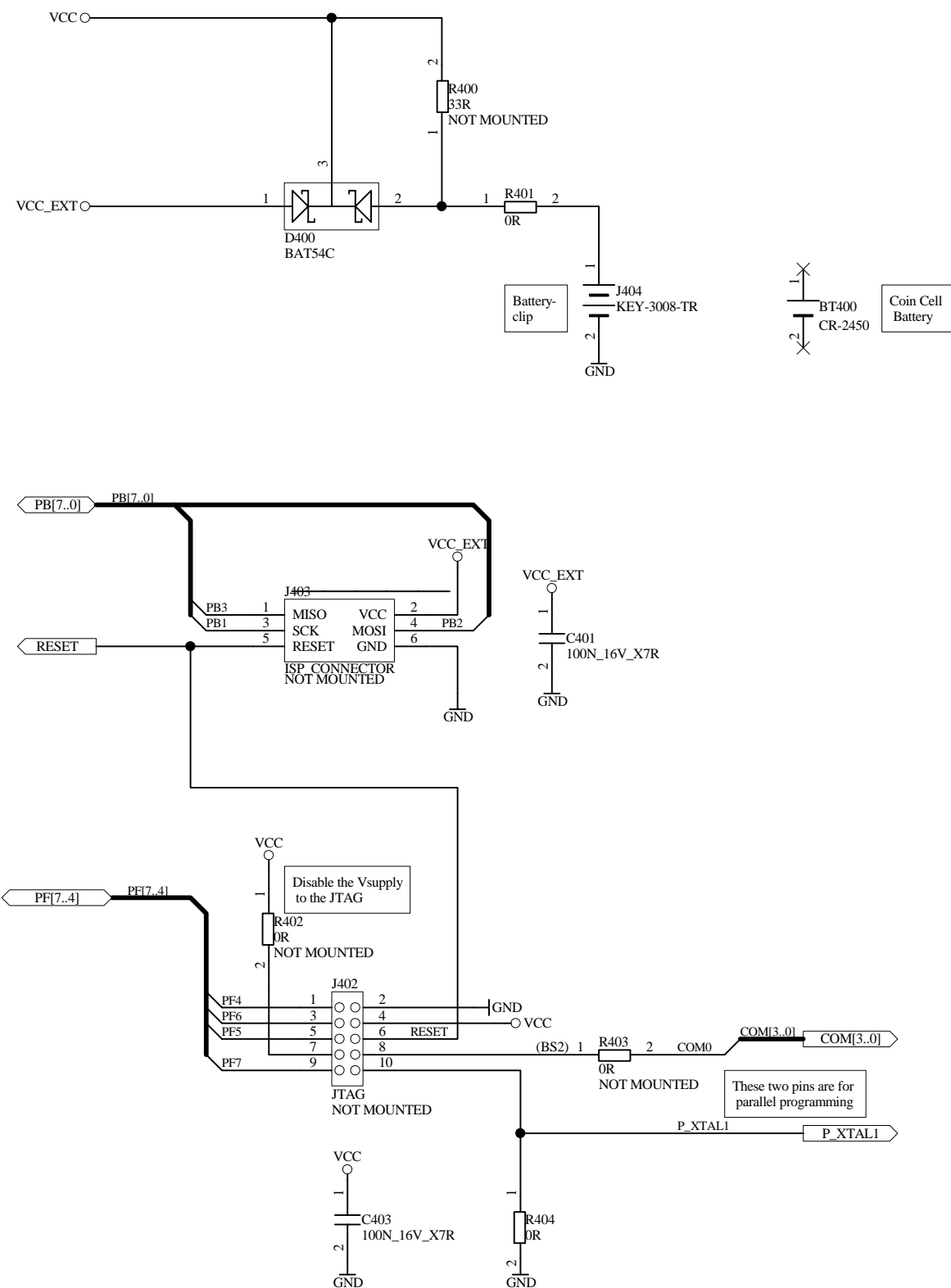
ATMEL Norway				
Vestre Rosten 79,				
7075 TILLER				
NORWAY				PAGE: 1 of 4 Revision: A TITLE: AVR Butterfly MCU.Sch
Date:	28-Jan-2003	12:35:00		
Document number:	A0301.3.1000.A			
TITLE: AVR Butterfly				
MCU.Sch				



ATMEL Norway				
Vestre Rosten 79,				
7075 TILLER				
NORWAY				
Date:	5-Mar-2003	11:01:58	PAGE: 2 of 4	
Document number:	A0301.3.1000.A		Revision:	A
TITLE: AVR Butterfly				
Peripherals.Sch				



ATMEL Norway				
Vestre Rosten 79,				
7075 TILLER				
NORWAY				
Date:	28-Jan-2003	12:34:59	PAGE:	3 of 4
Document number:	A0301.3.1000.A		Revision:	A
TITLE: AVR Butterfly				
RS232.Sch	7			8



ATMEL Norway				
Vestre Rosten 79,				
7075 TILLER				
NORWAY				
Date:	19-Feb-2003	08:18:49	PAGE: 4 of 4	
Document number:	A0301.3.1000.A		Revision:	A
TITLE: AVR Butterfly				
Connectors.Sch 7			8	

1

2

3

4

5

6

7

8

D

D

C

C

B

B

A


A

M500
 Pin
 U562246

PCB500

Printed
Circuit
Board

AVR BUTTERFLY A0301.3.1000.A

ATMEL Norway				
Vestre Rosten 79,				
7075 TILLER				
NORWAY				
Date:	19-Feb-2003	08:18:50	PAGE:	6 of 6
Document number:	A0301.3.1000		Revision:	A
TITLE: AVR Butterfly				
Mechanics.Sch	7		8	

1

2

3

4

5

6

8