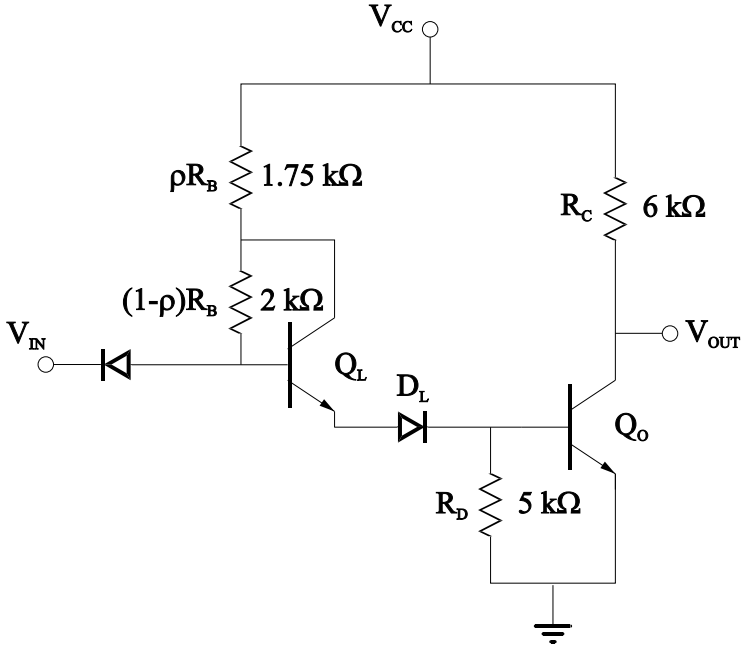


Diode Transistor Logic(DTL) Circuits Continued

Basic Inverter



Basic NAND

