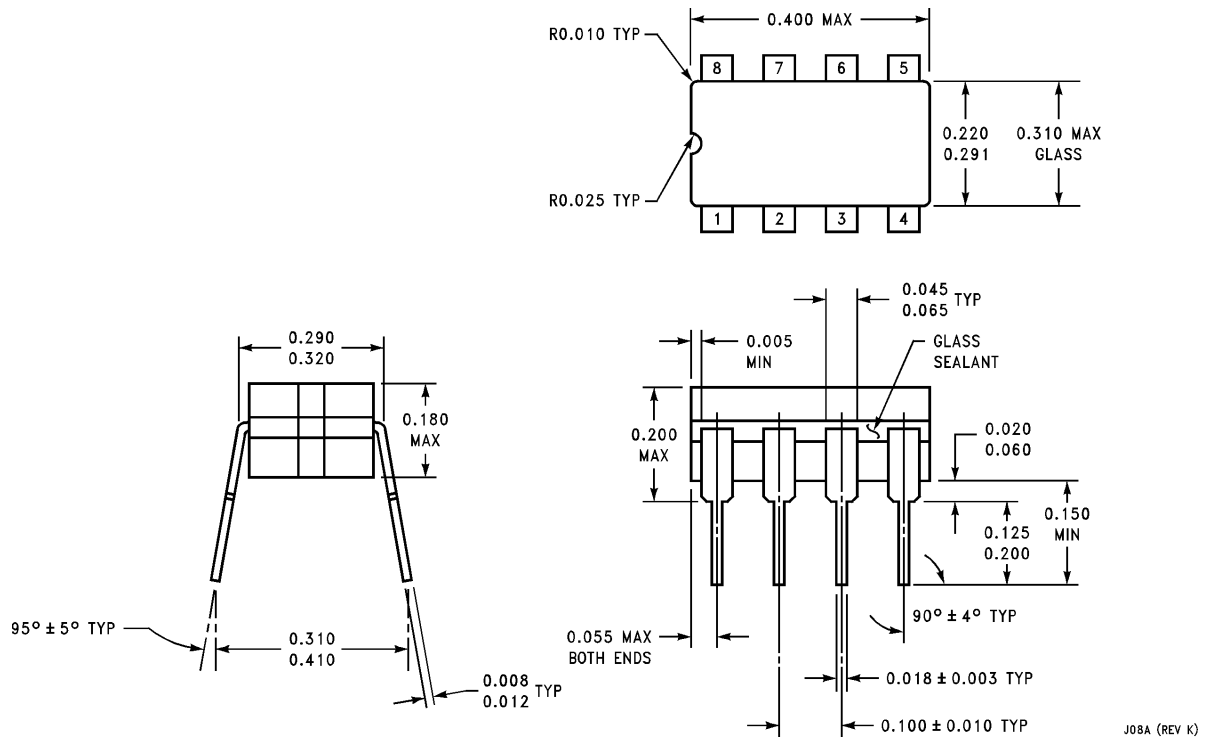


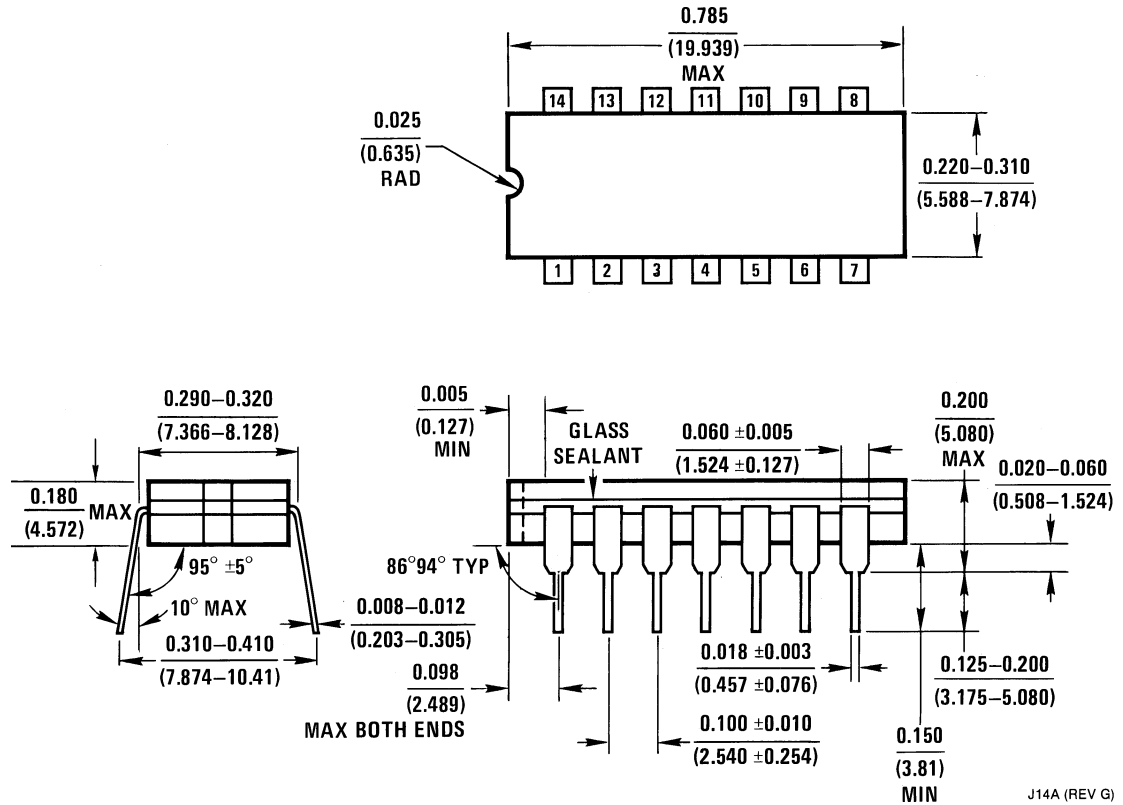
## Ceramic Dual-in-Line Package (Cerdip)

### 8 Lead Ceramic Dual-in-Line Package NS Package Number J08A

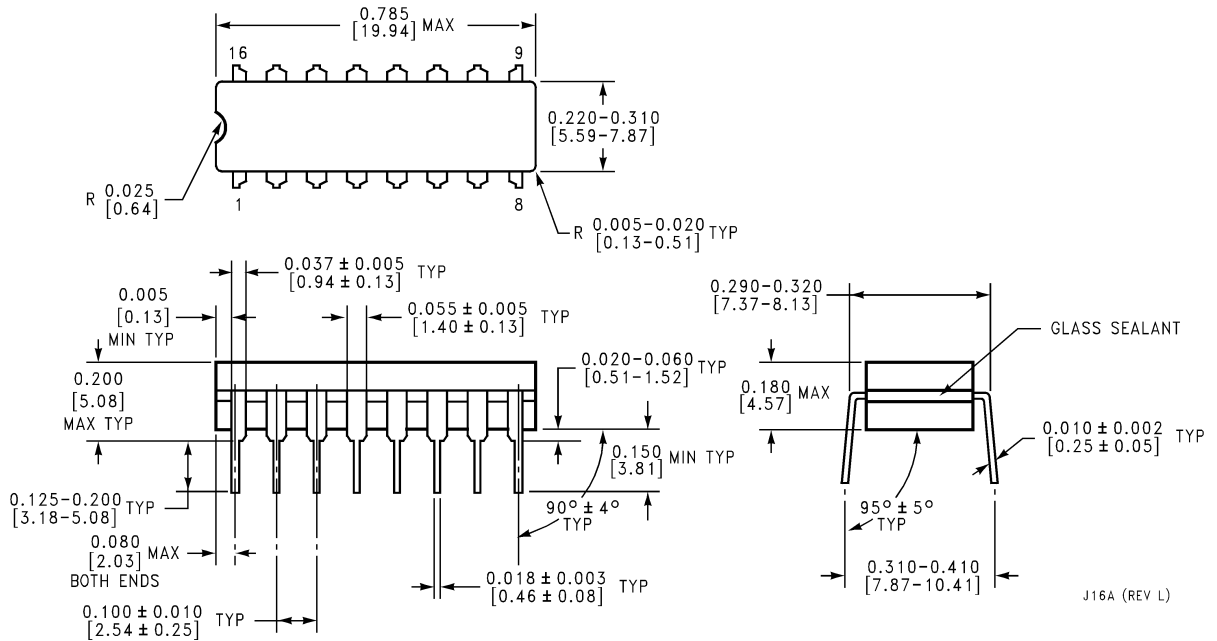


Ceramic Dual-in-Line Package (Cerdip)

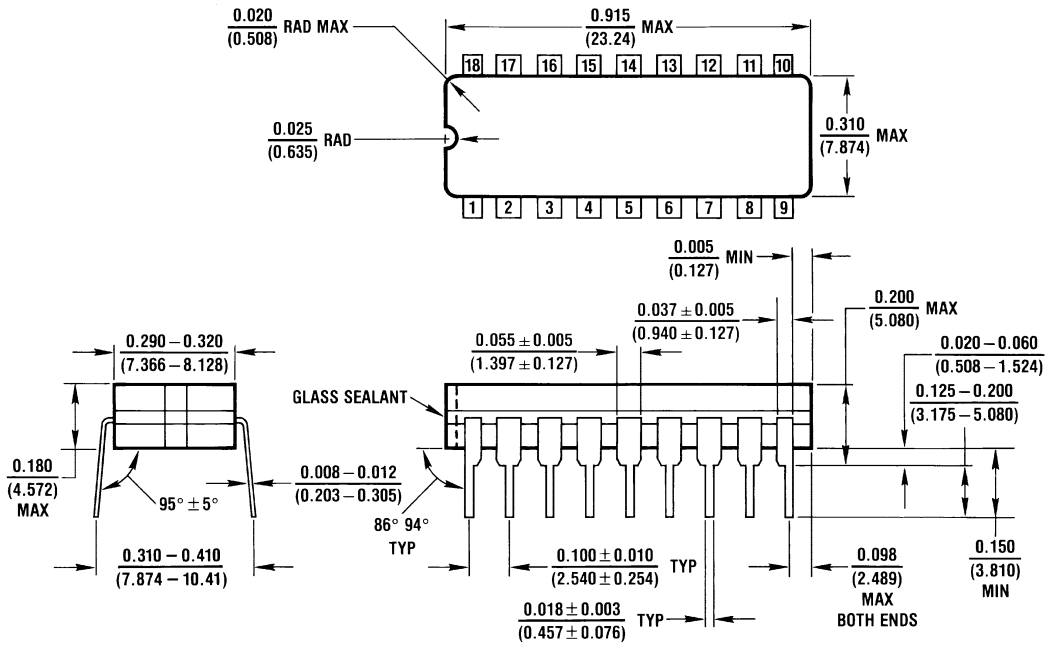
### 14 Lead Ceramic Dual-in-Line Package NS Package Number J14A



### 16 Lead Ceramic Dual-in-Line Package NS Package Number J16A

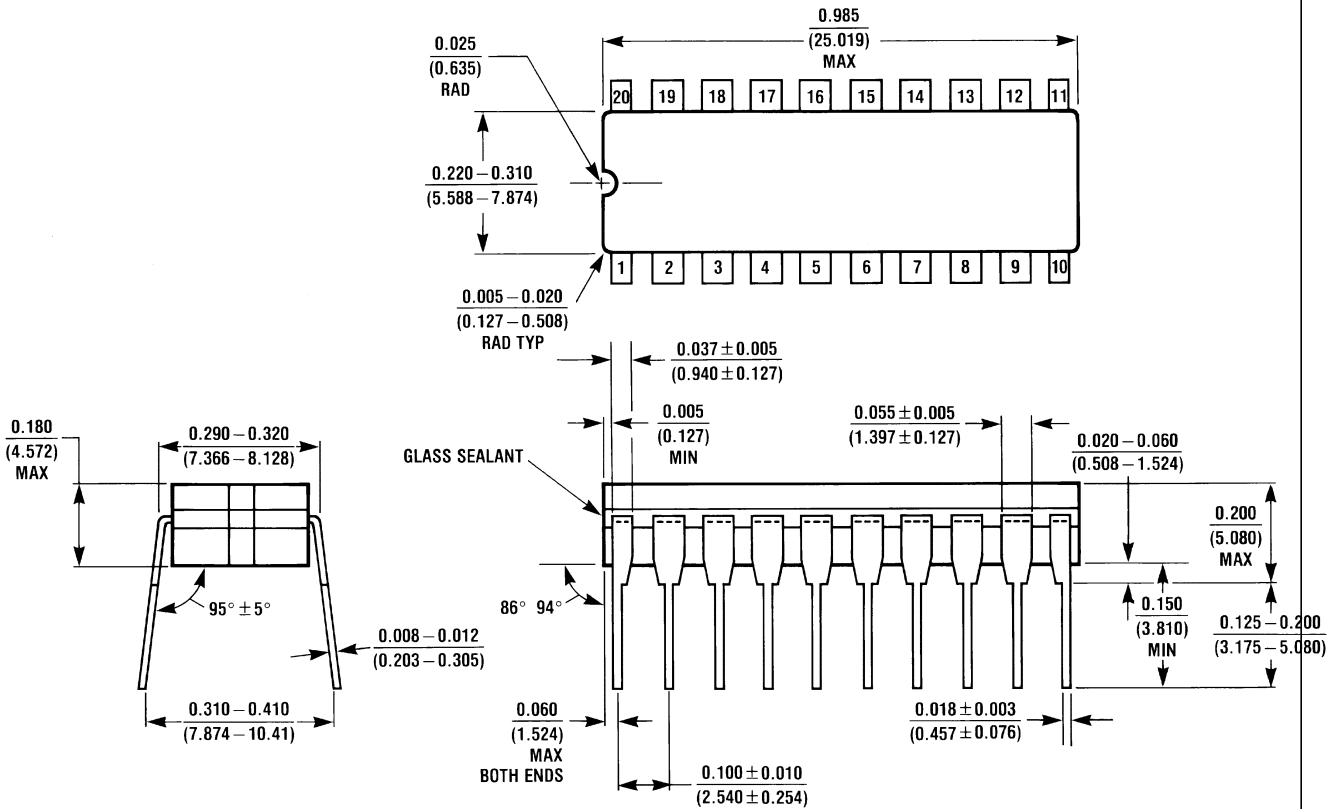


## 18 Lead Ceramic Dual-in-Line Package NS Package Number J18A



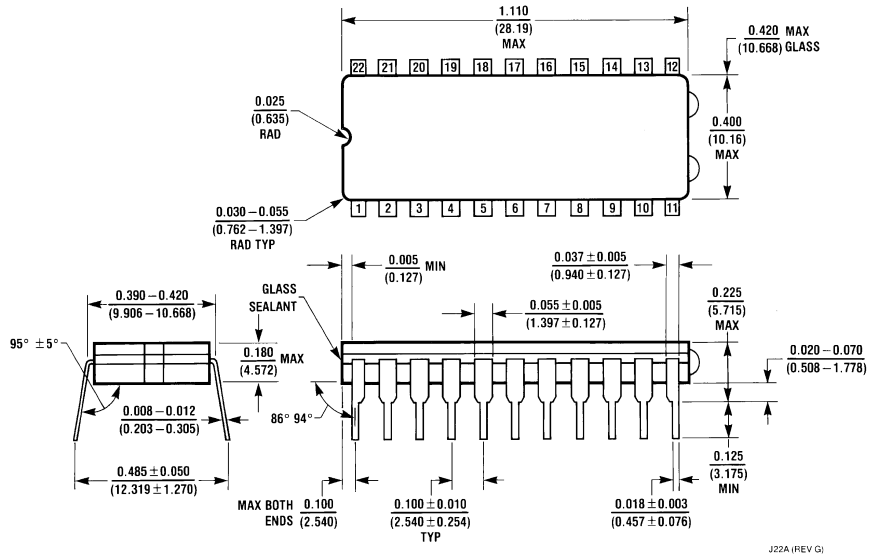
J18A (REV L)

## 20 Lead Ceramic Dual-in-Line Package NS Package Number J20A



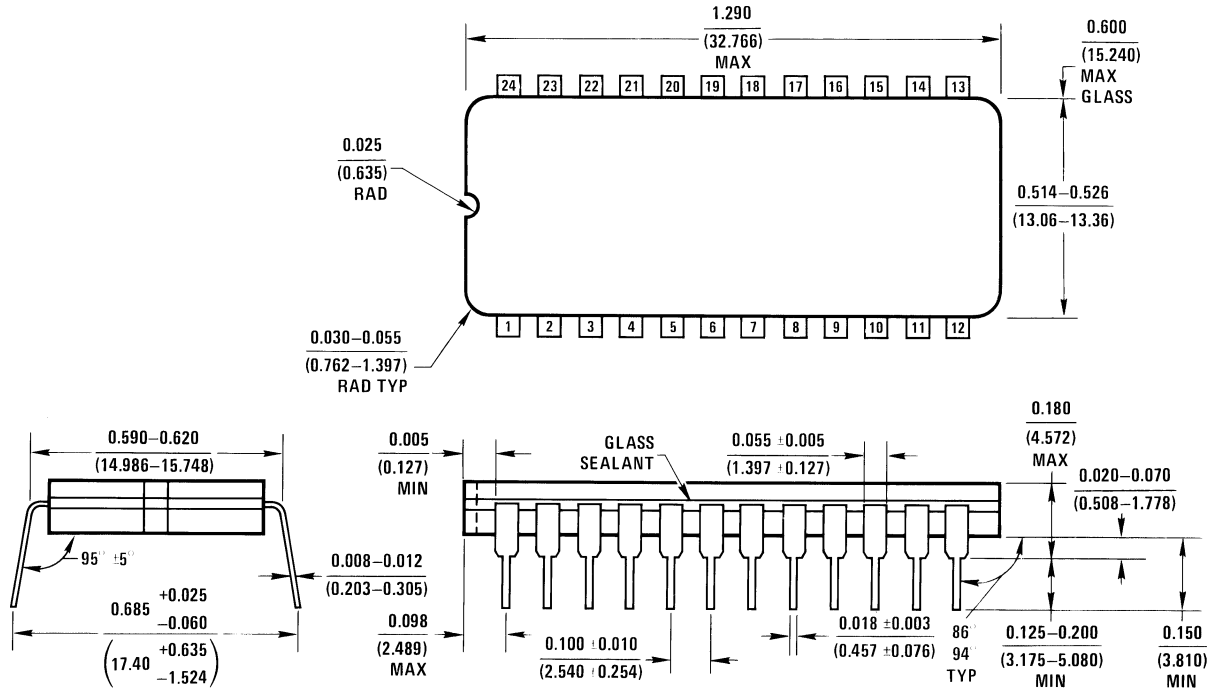
J20A (REV M)

## 22 Lead Ceramic Dual-in-Line Package NS Package Number J22A



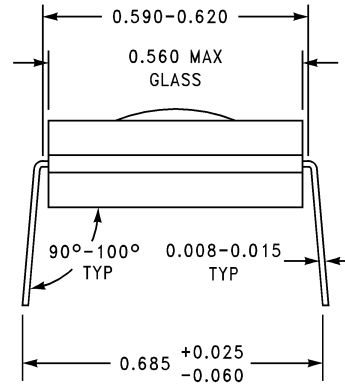
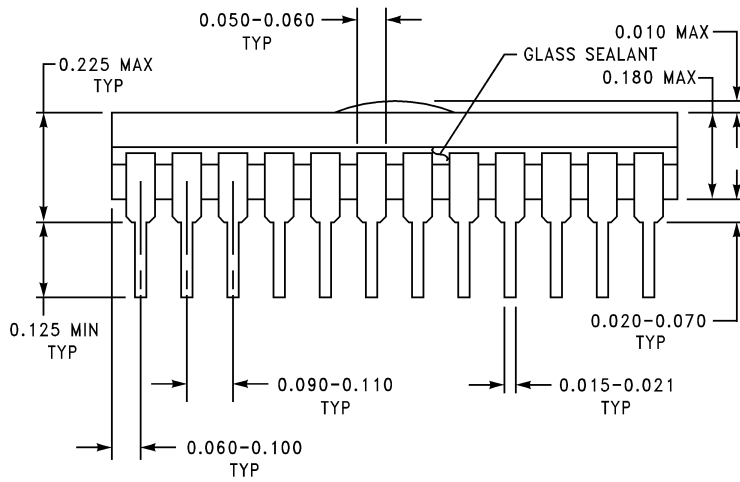
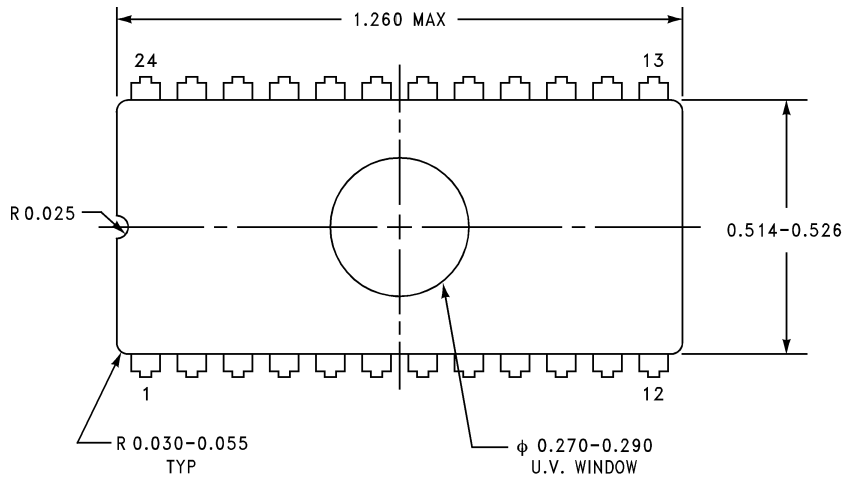
J22A (REV G)

## 24 Lead Ceramic Dual-in-Line Package NS Package Number J24A



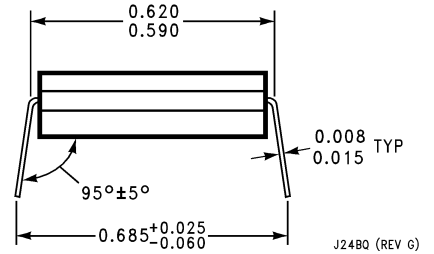
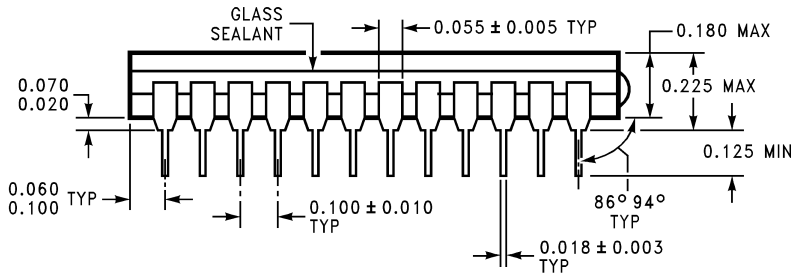
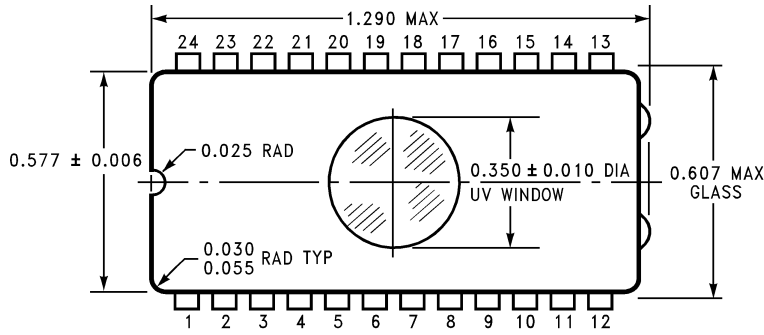
J24A (REV H)

### 24 Lead Ceramic Dual-in-Line Package, EPROM NS Package Number J24AQ



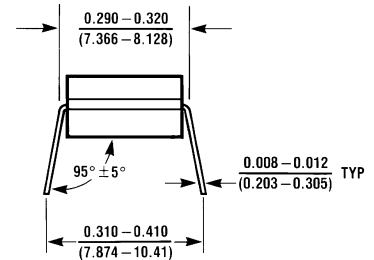
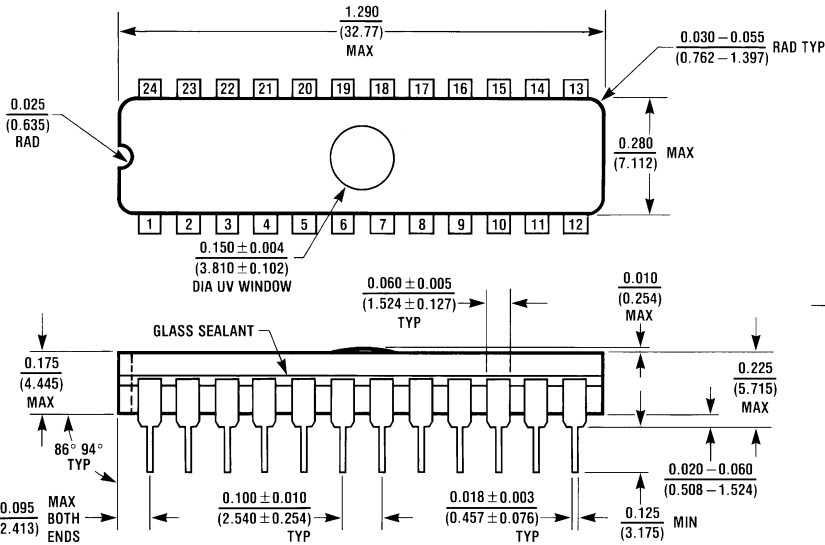
J24AQ (REV. G)

### 24 Lead Ceramic Dual-in-Line Package, EPROM NS Package Number J24BQ



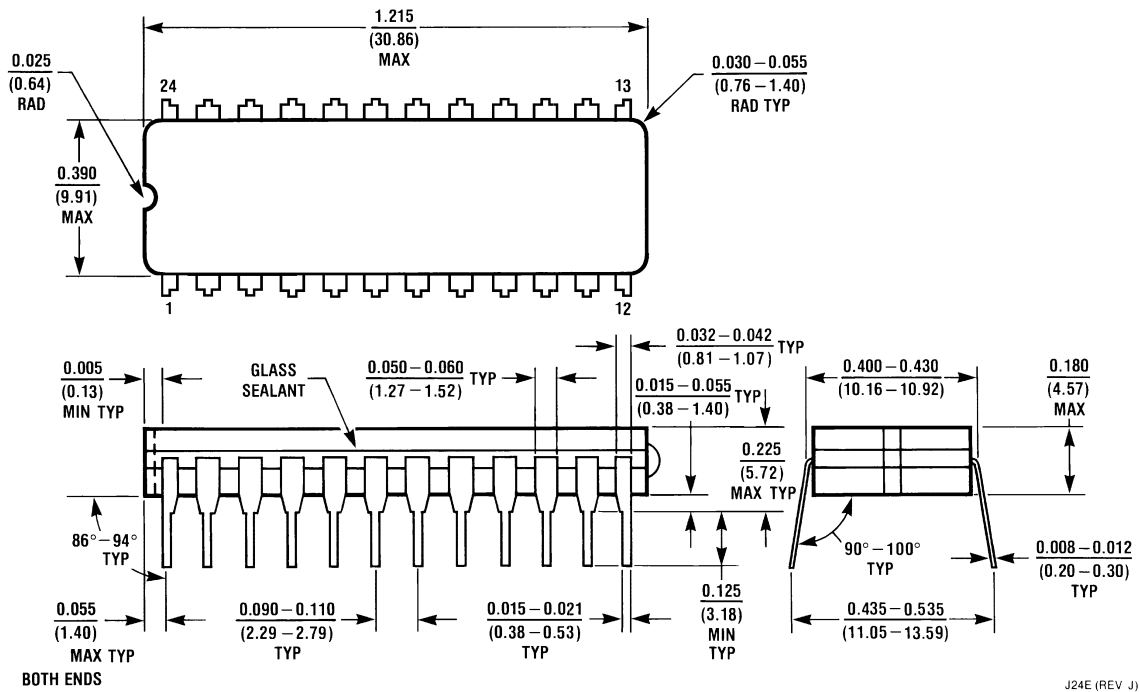
J24BQ (REV 6)

### 24 Lead (0.300" Wide) Ceramic Dual-in-Line Package, EPROM NS Package Number J24CQ



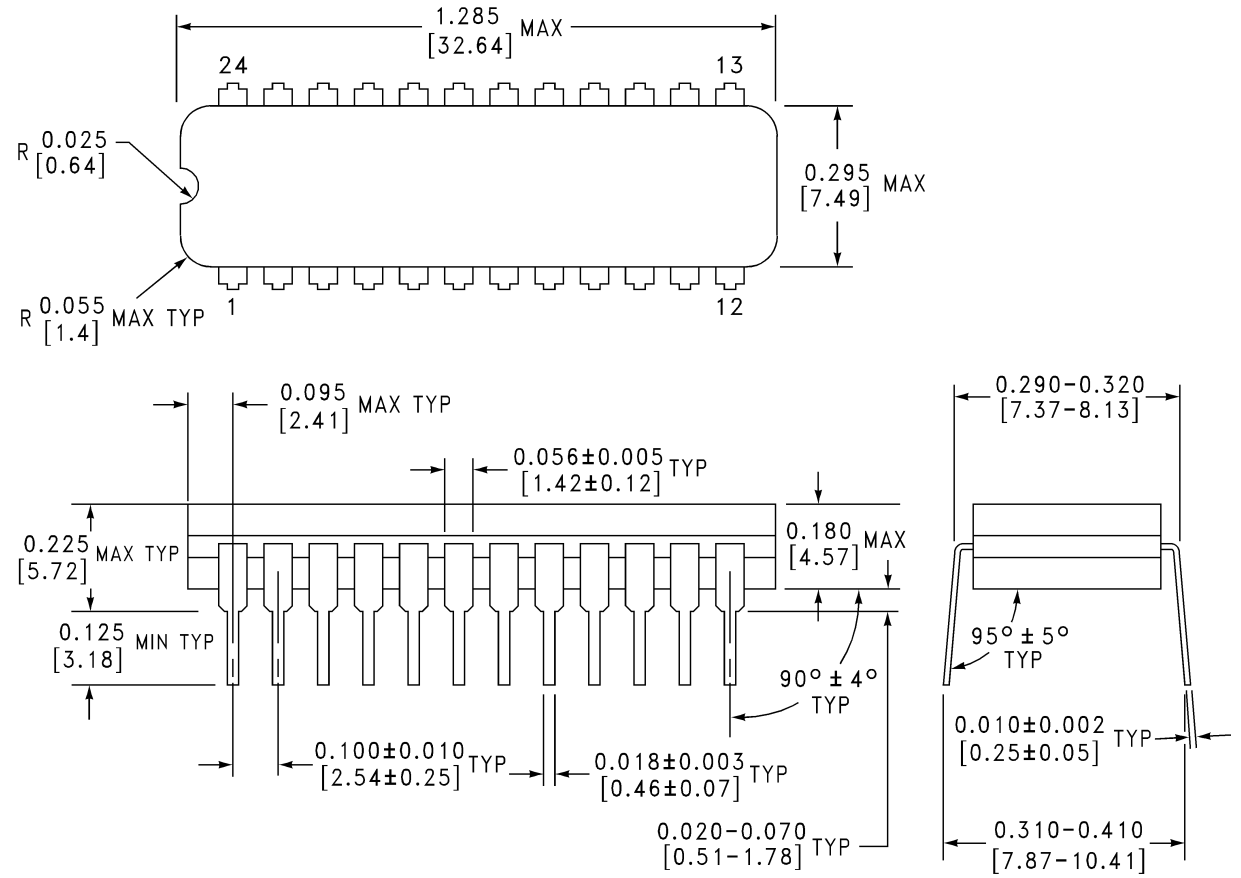
J24CQ (REV A)

# 24 Lead (0.400" Wide) Ceramic Dual-in-Line Package NS Package Number J24E



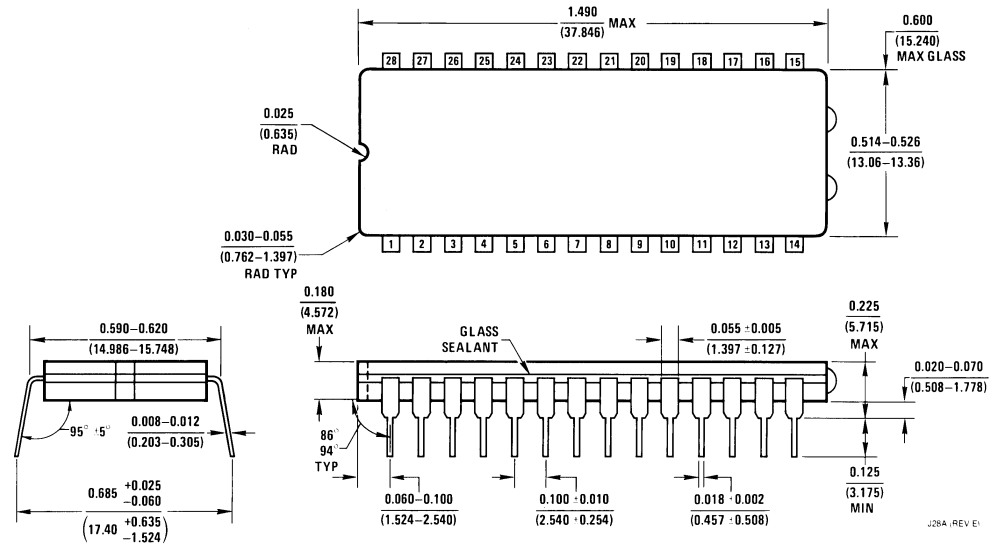
J24E (REV J)

### 24 Lead (0.300" Wide) Ceramic Dual-in-Line Package NS Package Number J24F



J24F (REV. H)

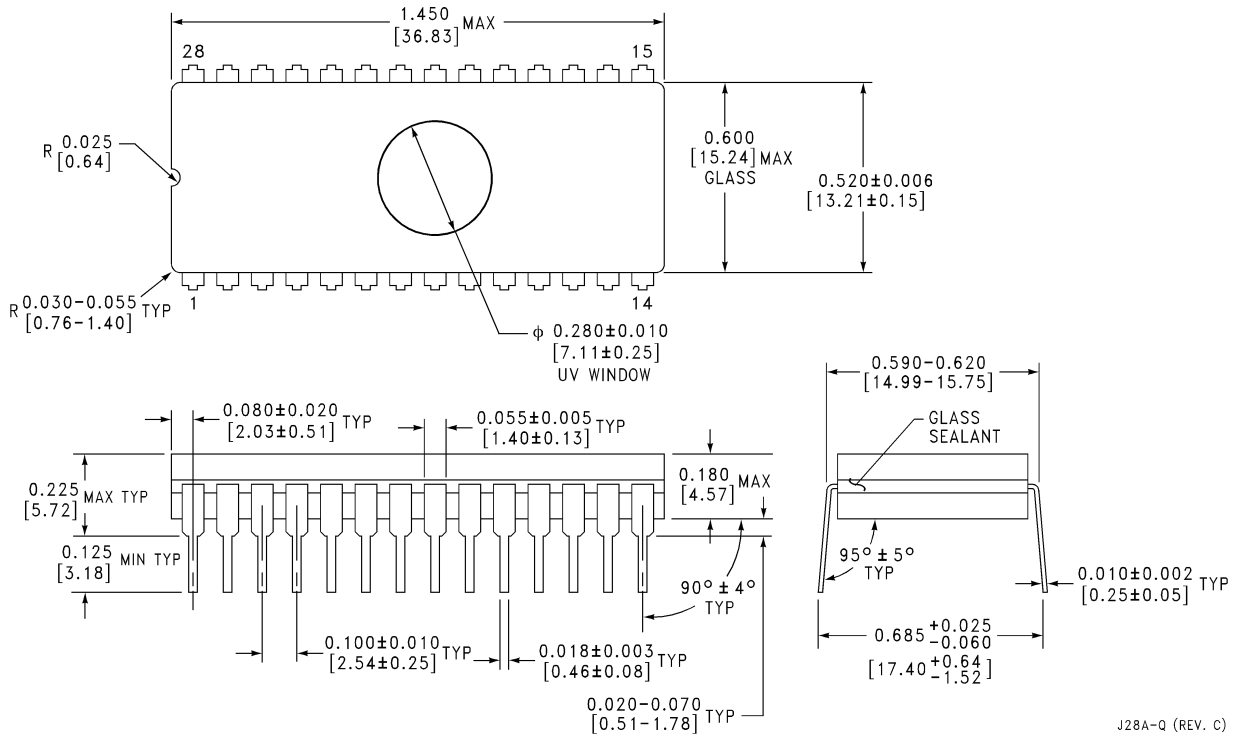
### 28 Lead Ceramic Dual-in-Line Package NS Package Number J28A



J28A (REV. E)

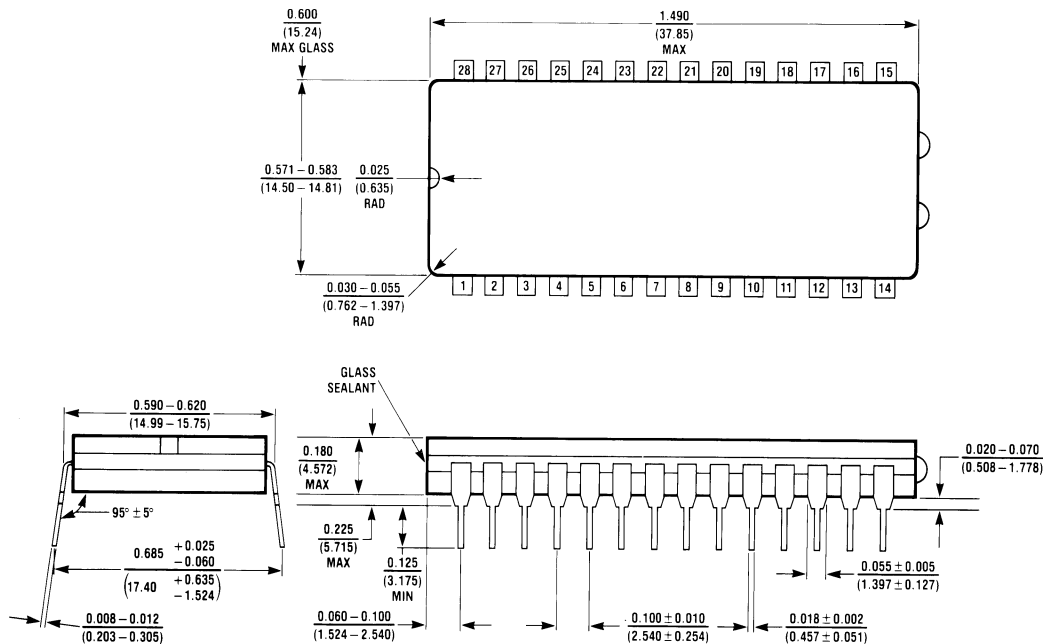


## 28 Lead Ceramic Dual-in-Line Package, EPROM NS Package Number J28AQ



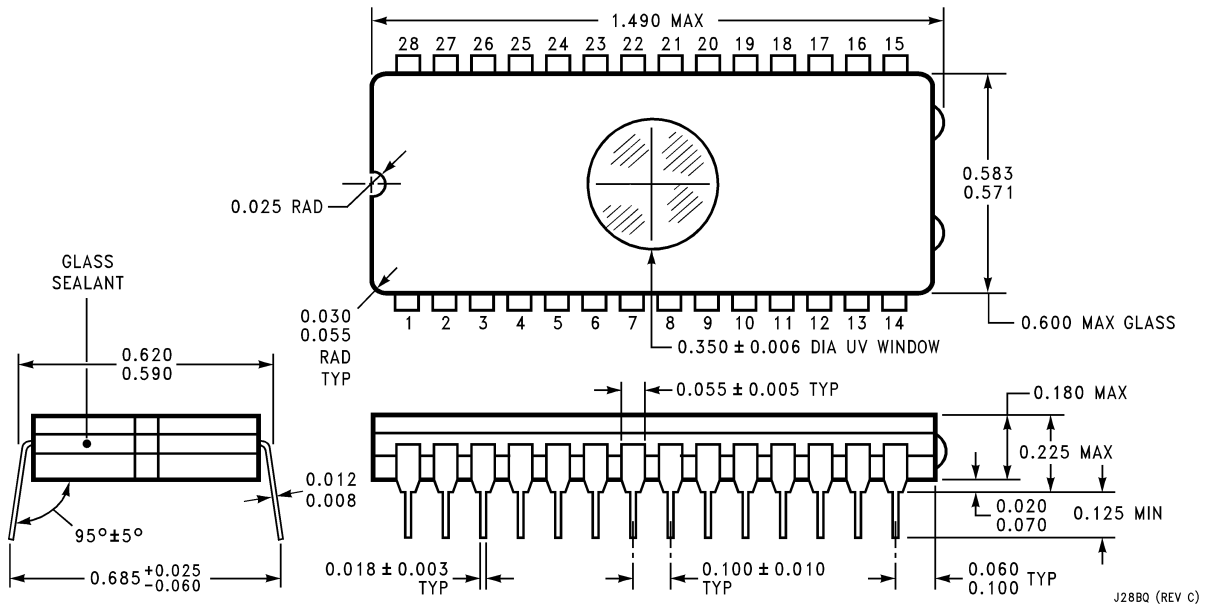
J28A-Q (REV. C)

## 28 Lead Ceramic Dual-in-Line Package NS Package Number J28B

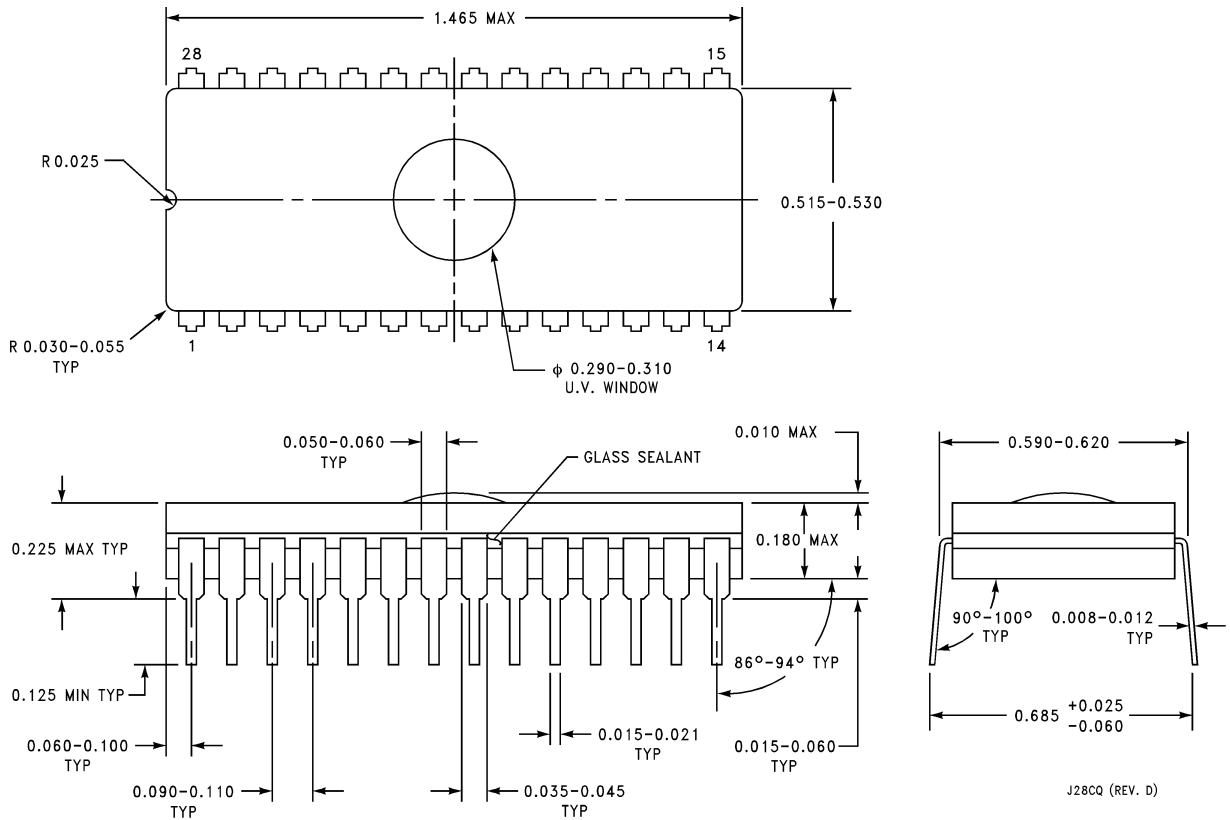


J28B (REV. C)

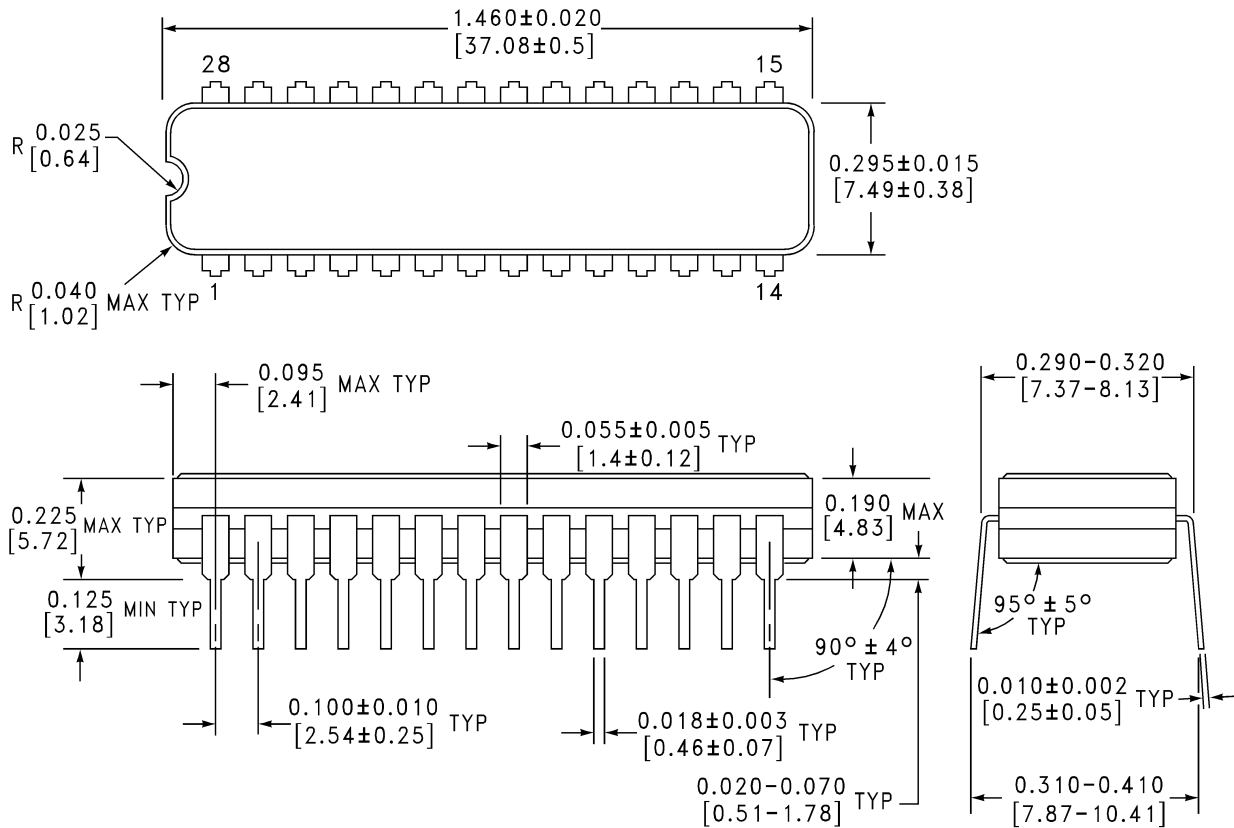
### 28 Lead Ceramic Dual-in-Line Package, EPROM NS Package Number J28BQ



### 28 Lead Ceramic Dual-in-Line Package, EPROM NS Package Number J28CQ

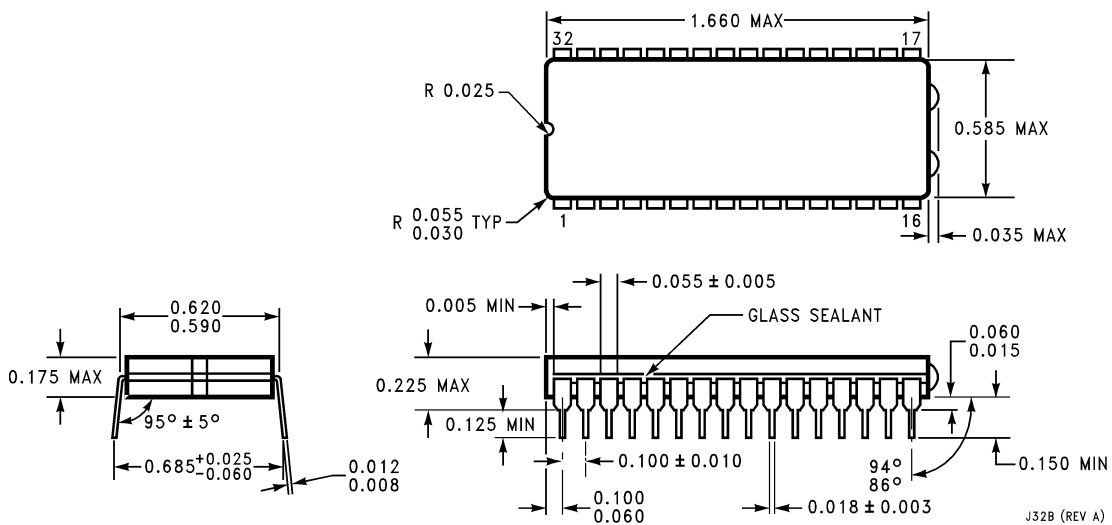


### 28 Lead Ceramic Dual-in-Line Package NS Package Number JA28A



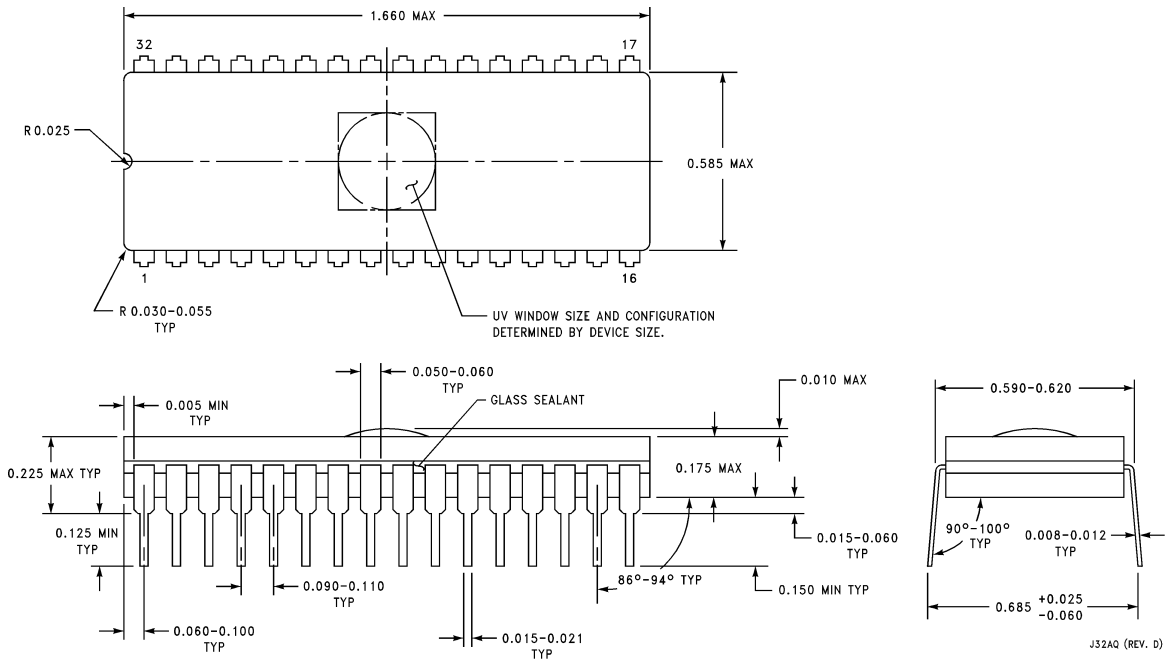
JA28A (REV. A)

### 32 Lead Ceramic Dual-in-Line Package NS Package Number J32B

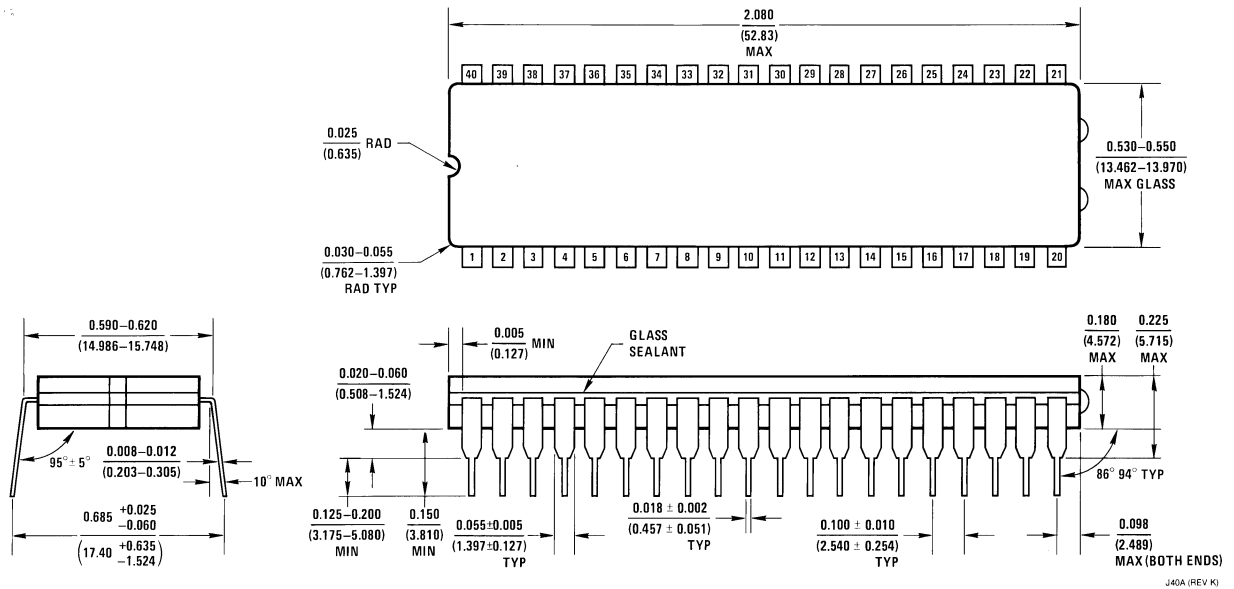


J32B (REV. A)

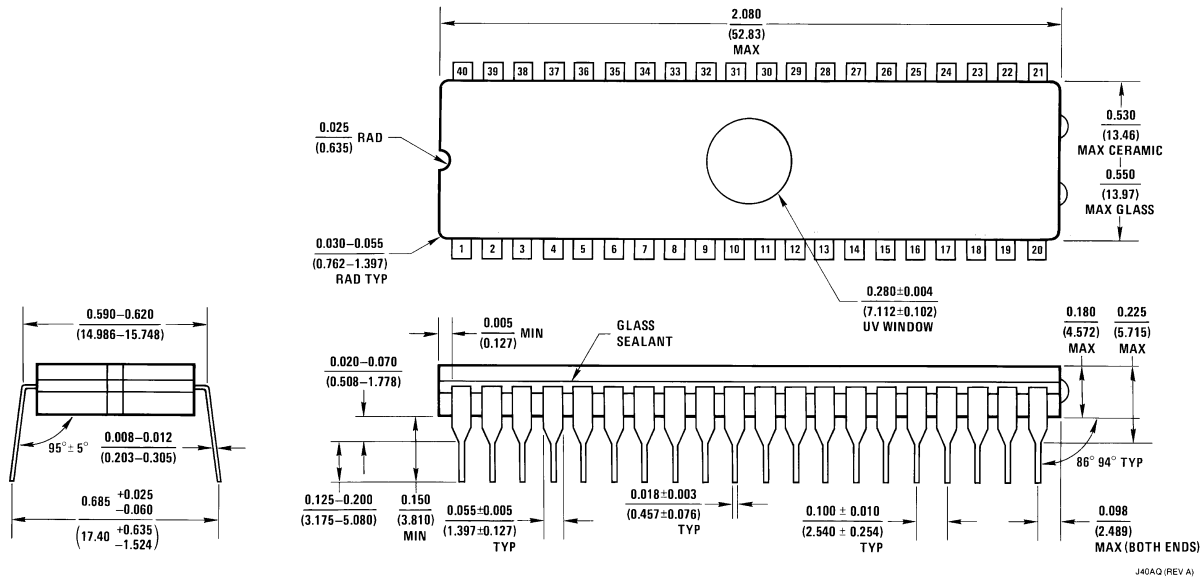
### 32 Lead Ceramic Dual-in-Line Package, EPROM NS Package Number J32AQ



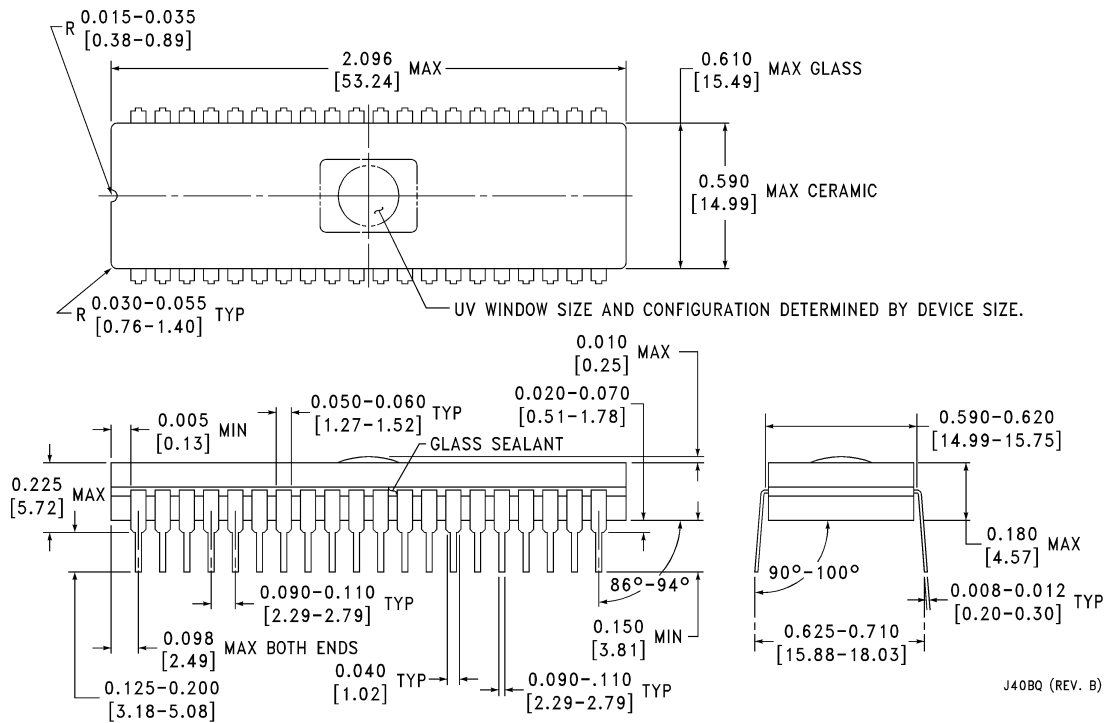
### 40 Lead Ceramic Dual-in-Line Package NS Package Number J40A



### 40 Lead Ceramic Dual-in-Line Package, EPROM NS Package Number J40AQ



### 40 Lead Ceramic Dual-in-Line Package, EPROM NS Package Number J40BQ



## Notes

**LIFE SUPPORT POLICY**

NATIONAL'S PRODUCTS ARE NOT AUTHORIZED FOR USE AS CRITICAL COMPONENTS IN LIFE SUPPORT DEVICES OR SYSTEMS WITHOUT THE EXPRESS WRITTEN APPROVAL OF THE PRESIDENT AND GENERAL COUNSEL OF NATIONAL SEMICONDUCTOR CORPORATION. As used herein:

1. Life support devices or systems are devices or systems which, (a) are intended for surgical implant into the body, or (b) support or sustain life, and whose failure to perform when properly used in accordance with instructions for use provided in the labeling, can be reasonably expected to result in a significant injury to the user.
2. A critical component is any component of a life support device or system whose failure to perform can be reasonably expected to cause the failure of the life support device or system, or to affect its safety or effectiveness.



**National Semiconductor Corporation**  
Americas  
Tel: 1-800-272-9959  
Fax: 1-800-737-7018  
Email: support@nsc.com

www.national.com

**National Semiconductor Europe**

Fax: +49 (0) 1 80-530 85 86  
Email: europe.support@nsc.com  
Deutsch Tel: +49 (0) 1 80-530 85 85  
English Tel: +49 (0) 1 80-532 78 32  
Français Tel: +49 (0) 1 80-532 93 58  
Italiano Tel: +49 (0) 1 80-534 16 80

**National Semiconductor Asia Pacific Customer Response Group**

Tel: 65-2544466  
Fax: 65-2504466  
Email: sea.support@nsc.com

**National Semiconductor Japan Ltd.**

Tel: 81-3-5639-7560  
Fax: 81-3-5639-7507