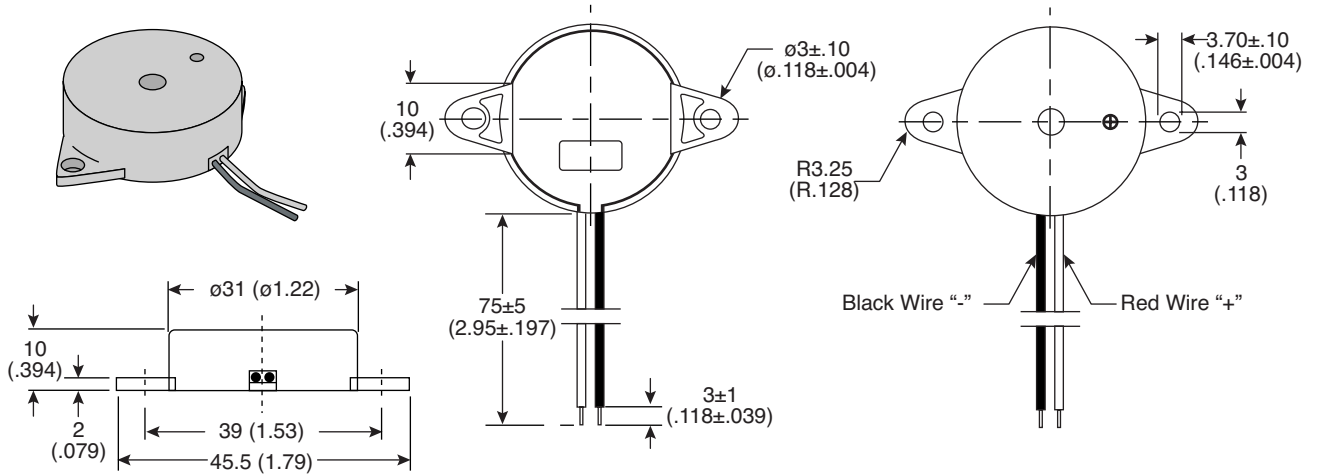
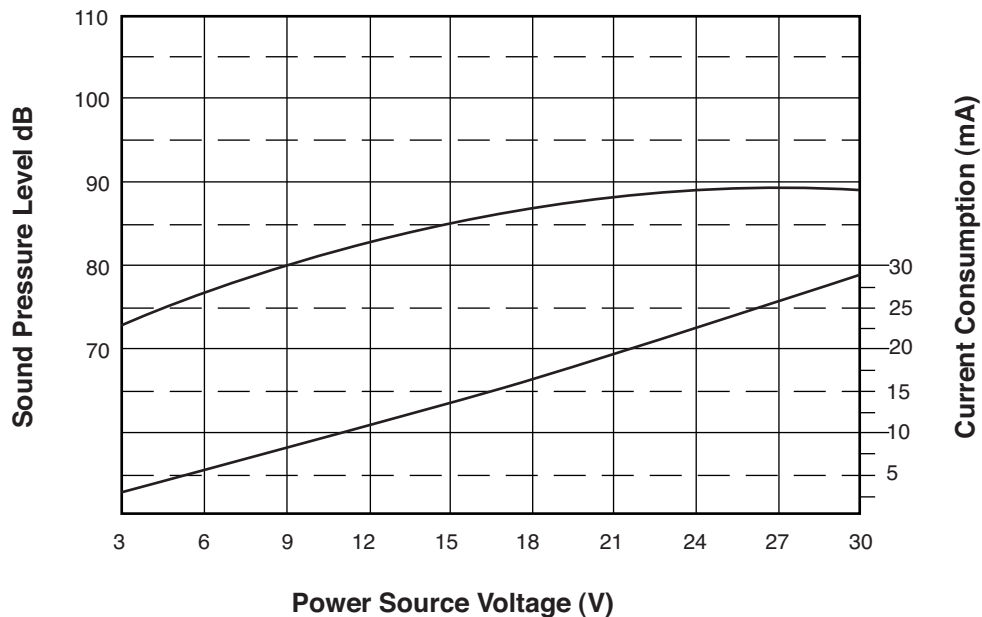


Part Number:

254-PB511



Piezoelectric Buzzer
(Built-In Drive)



KT-400142

Electrical Specifications:

- Sound Pressure Level: 80dB min./30cm./9VDC
- Oscillating Frequency: 2.5 ± 0.5KHz
- Current Consumption: 8mA max./9VDC
- Operating Voltage: 3 to 30VDC

Materials:

- Tone: Continuous
- Case: PBT
- Lead Wire: UL1095 28AWG
- Weight: 7 grams

Mechanical Specifications:

- Operating Temperature: -30°C to +70°C
- Storage Temperature: -40°C to +85°C