



SPECIFICATION

Specification No : PA-880-1990-00-29-A-02

Part No. : PA-22

Product Name : Dual-band GSM Dielectric PIFA Antenna

Description : 880~960Mhz, 1710~1990 MHz, 0dB Gain
Size: 29.8mm*6mm*5mm

REVISION STATUS

Version	Date	Page	Revision Description	Prepared	Approved
01	Nov 4th 2005	All	New format	TW Product Centre	Ronan Quinlan



Specification

1.0 Scope

This specification is for a Dual-band GSM miniature PIFA (Dielectric Planar Inverted-F Type Antenna) Antenna

2.0 Electrical Specifications

The antenna has the electrical characteristics given in Table 1 under the Taoglas standard installation conditions as shown in the Evaluation Board.figure.

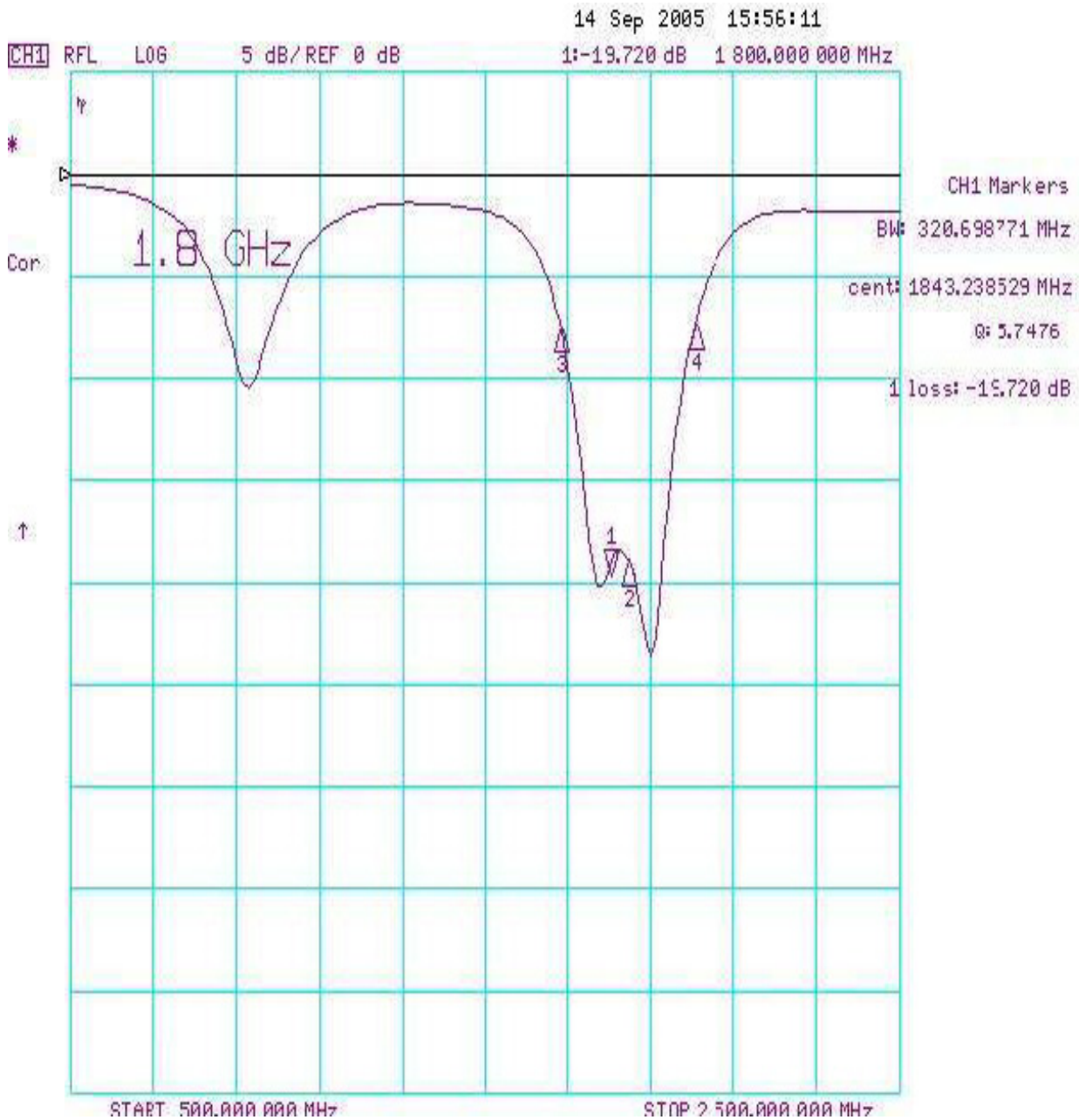
No.	Parameter	Specification
1	Frequency	880~960 MHz , 1710~1990 MHz
2	Dimensions	29.8*6*5 mm
3	Impedance	50 Ohms-
4	VSWR	2.5 max (depends on environment)
5	Polarization	Linear
6	Operating Temperature	40~85°C
7	Termination	Ag (Environmentally Friendly Lead- Free)

*Data is measured on Taoglas Standard Reference PCB.



Specification

S11 Response Curve





3.0 Environmental Conditions

3.1 Operating Conditions

The antenna has the electrical characteristics given in Table 1 in the temperature range of -30°C to +825°C and under the environmental conditions of +40 and 0-95%r.h.

3.2 Storage Temperature range

The storage temperature range of the product is -40°C to +100°C

4.0 Reliability Tests

4.1 Low-temperature test

Expose the specimen to -30°C for 500 hours and then to normal temperature/humidity for 24 hours or more. After that examine the appearance and functions.

4.2 High-temperature test

Expose the specimen to +85°C for 500 hours and then to normal temperature/humidity for 24 hours or more. After that examine the appearance and functions.

4.3 High-temperature/High-humidity test

Subject the object to the environmental conditions of +85°C and 90-95% r.h. for 96 hours, then expose to normal temperature/humidity for 24 hours or more. After this, check the appearance and functions.



4.4 Thermal Shock test

Subject the object to cyclic temperature change (-30°C, 30 minutes +85°C, 30 minutes) for 5 cycles, the expose to normal temperature/humidity for 24 hours or more.

4.5 Vibration Test

4.5.1 Sinusoidal Vibration Test

Subject the object to vibrations of 5 to 200 to 5Hz swept in 10 minutes, 4.5G at maximum (2mm amplitude), in X and Y directions for two hours each and in Z direction for four hours. After this, check the appearance functions.

4.5.2 Vibration test in packaged condition

Subject the object, which is packaged as illustrated, to vibrations of 15 to 60 to 15Hz swept in 6 minutes, 4G at maximum (2mm amplitude at maximum), applied in X, Y and Z directions for two hours each, i.e. six hours in total. After this, check the appearance and functions.

4.5.3 Free fall test in packaged condition

Drop the object, which is packaged as illustrated, to a concrete surface from the height of 90 cm, on one comer, three edges and six faces once each, i.e. 10 times in total. After this, check the appearance and functions.

4.5.4 Soldering Heat Resistance Test

The lead pins of the unit are soaked in solder bath at $270 \pm 5^{\circ}\text{C}$ for 10 ± 0.5 seconds and then left for more than 1 hour at $25 \pm 5^{\circ}\text{C}$ in less than 65% relative humidity.



Specification**4.5.5 Adhesion Test**

The device is directly soldered on test PCB. Then apply 0.5Kg (5N) of force for 10±1 seconds in a parallel direction to the substrate. (Note: the soldering should be done by reflow and conducted with care so that the soldering is uniform and free of defect by stress such as heat shock).

5.0 Inspection

Under mass production examination, the reception characteristic of the ratio wave sent in a shield box from the standard antenna and VSWR are confirmed by sampling.

6.0 Warranty

If any product defect occurs during normal use within a year after delivery, it will be repaired or replaced free of charge.

7.0 Other

Any questions arising from this specification manual shall be solved by arrangement made between both parties.

8.0 Precautions for Use

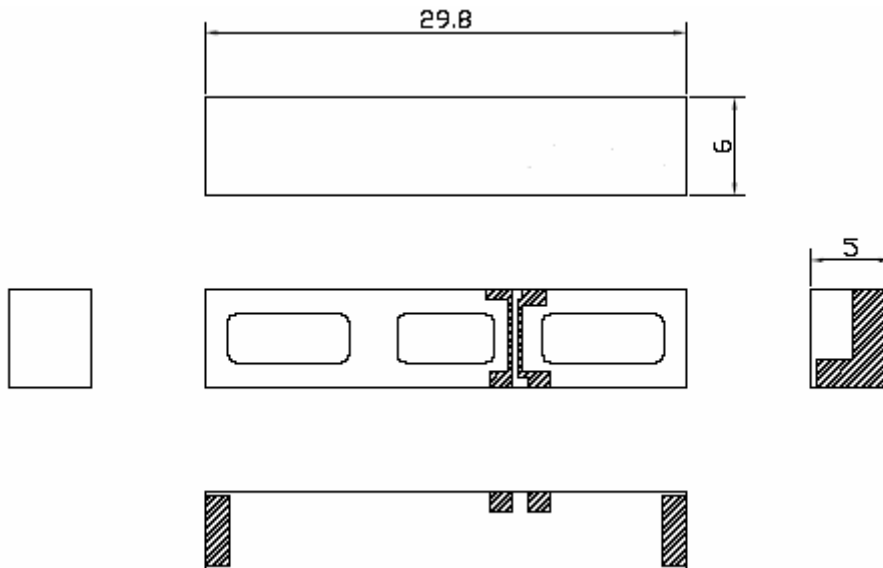
- 8.1** The antenna pattern uses a Ag electrode.
- 8.2** Avoid contact with corrosive gas (sulfur gas, chlorine gas) in the atmosphere.
- 8.3** Do not directly solder onto the gold electrode of the Antenna pattern.



Specification

9.0 Drawings

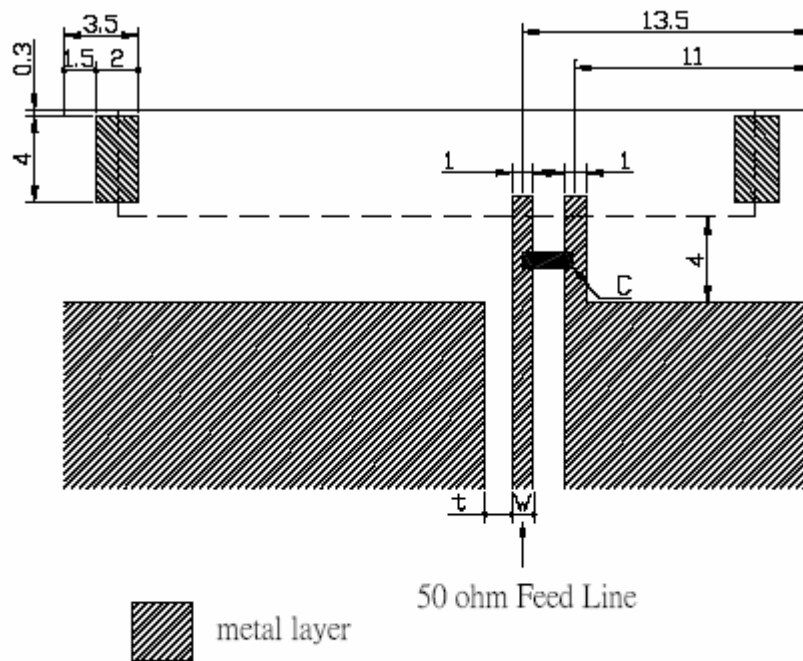
9.1 Outline Dimensions





Specification

9.2 Recommended Footprint for Evaluation Board

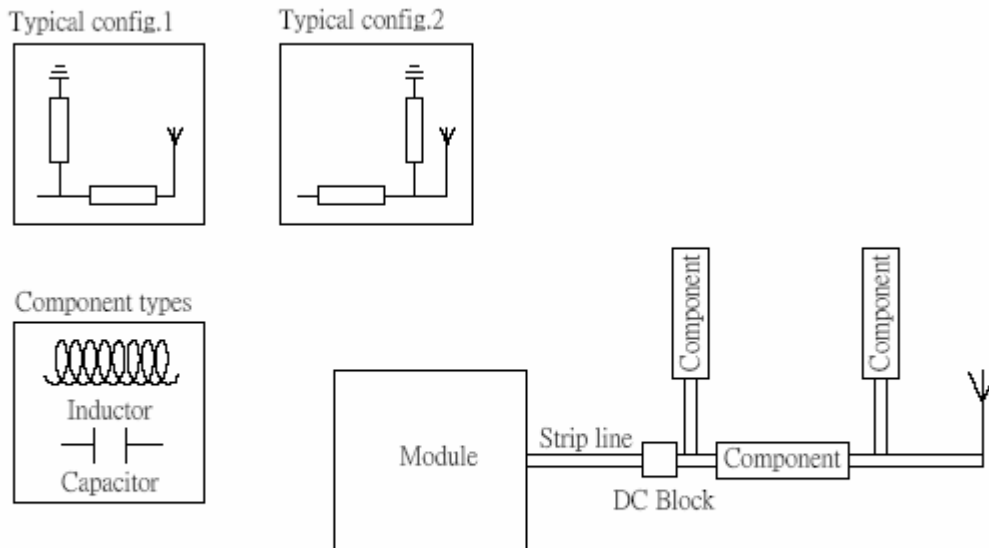


t,w=Unique dimensioning according to your PCB.
 C=inductor and capacitor values according to your specific device.



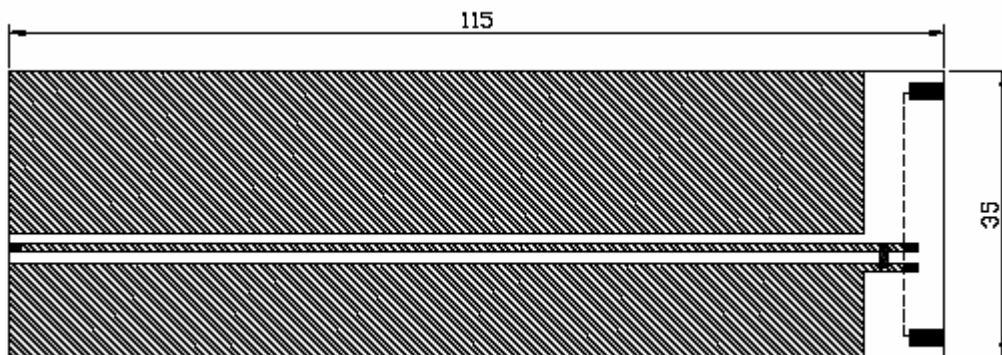
Specification

9.3 Transmission Line and Matching



The matching network has to be individually designed using one,two or three components.

9.4 Test Board Dimensions





10.0 Delivery Mode

T.B.D.

11.0 FAQs

11.1 What are radio waves?

Radio waves are waves produced by the interaction of time -varying electric and magnetic fields. More properly they are referred to as electromagnetic waves. With the Wireless Telegraphy Act it was decided that all electromagnetic waves with a frequency below 3,000GHz would be called radio waves.

11.2 What is an antenna?

An antenna converts electrical energy to radio waves and transmits them into the sky as well as collecting radio waves from the sky and converting them to electrical energy.

11.3 What makes a good antenna (1)?

As an antenna serves as the electrical power conversion device between a circuit and the air, the keys to it's efficiency are as follows:

- (1) Input characteristics with the contact point on the circuit side
- (2) Radiation characteristics from the contact point to the air

Input Characteristics

Electric power is supplied efficiently to the antenna without reflecting back into the circuit at the feeding point > **If the impedance between the antenna and the feed line is not matched correctly, the signal will reflect back and no power will be supplied to the antenna.**



Specification

Radiation Characteristics The power supplied to the antenna is not lost within the antenna but is transmitted as a radio wave. > **If the antenna is made of high loss material (conductors and dielectrics), then the power that was supplied to the antenna will be dissipated into heat and lost.**

11.4 What makes a good antenna (2)?

The characteristics of a general antenna are shown below.

(1) Input Characteristics

Frequency –Return loss chart

Where the return loss is low, indicates that the antenna is well matched at that frequency.

Frequency – VSWR chart

In the same way as the return loss chart, a low VSWR value shows a good matching of the antenna.

Bandwidth

The antenna is good to the extent of good matching and the width of the frequency domain.

(2) Radiation Characteristics

Radiation Pattern

The strength of the antenna emission is displayed. It shows that antennas emit well in their projected direction. It is usually displayed in three planes (XY, YZ and ZX planes).

Gain [dBd]

Given as a ratio to a standard antenna (half wave dipole).

Usually displayed as the average of the three planes (XY, YZ and ZX planes). Designated as a combination of the vertical and horizontal polarity power gains.

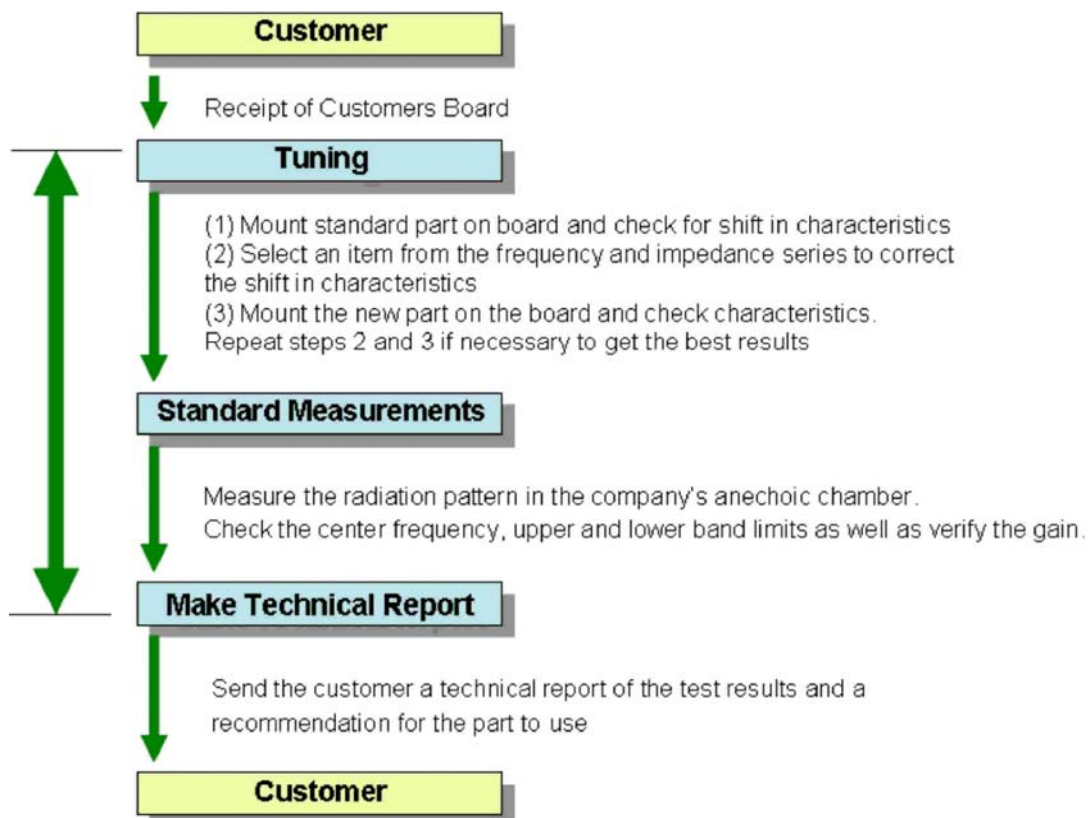


Specification

11.5 What is Tuning?

Many parameters, such as the board shape, surrounding components and the case covering the board, can affect the characteristics of an antenna, therefore most designs require customization of the antenna to compensate for the shift in characteristics. Correcting the shift in the characteristics of the antenna is known as tuning. For this work, having lots of experience from adjusting many items and equipment is where an antenna maker can really show their strengths. This experience can really help the user in getting the help needed for a quick product design.

Taoglas Tuning Workflow





11.6 How can we respond so quickly?

11.6.1 We have anticipated the characteristic shifts and created a series of parts that match those shifts and corrects them.

- **Frequency Series Parts**

When an antenna is mounted, the center frequency will shift due to surrounding elements. These parts will bring that frequency back to the proper center frequency. There are 18 values available in 29MHz steps.

- **Impedance Series Parts**

The impedance of an antenna will appear different depending on the shape of the board and other items surrounding the antenna. Normally in these situations, designers will make a matching circuit by adding capacitors or inductors, we however have created antennas with 3 different impedances values, so a standard antenna can be quickly matched to the design without any modifications to the circuit.

11.6.2 Complete Measurement Environment

Our facilities are complete with a full anechoic chamber and all required test equipment for quick and complete testing.

11.6.3 Standard Data Reporting

Using standardized data forms, the information can quickly be assembled into a report.

* If a verbal reply is sufficient, we can reply within 2 days of receiving the customer's board.

11.7 How to select the correct antenna?

It is important to select the correct antenna for the application.

11.7.1 Important Information about Small Antennas



Specification

As for chip antennas, you must consider the ground plane surrounding the area the chip is mounted. When using a small antenna it is often necessary to make a large ground plan to improve the characteristics of the antenna, the result is a larger area on the board for the antenna. Also, since small antennas typically are $\lambda/4$ type antennas, a large GND is also important. In fact if the GND is not large enough, there are some small antennas that will not operate.

> We consider the ground plane area in addition to the area for mounting antenna as a set, and can propose the optimum configuration for both.

Also, if there is room in your design, the larger antenna you can use the better off you will be. (It has been theoretically proven that as an antenna becomes smaller the performance deteriorates.)

11.7.2 Use Directivity Appropriately

When you know the direction of the transmission, you should choose to use a directional antenna. If you don't, you will scatter the radio waves and the power will be wasted. Also, as seen in the recent case with SAR, directional antennas were best to effectively isolate the body. **> We have both directional and omni directional antennas, so please consider what are best for your application.**

11.7.3 Pitfall of Broadband Antennas

For return loss characteristics, the loss amount is a combination of the transmission power and the power lost. Even in the case where the power loss is great and there is no transmission at all, the antenna may be seen as having very good broadband characteristics. To best judge the band, the gain's frequency characteristics should be judged. **> The standard data we submit then is the average gain for the necessary frequency.**



11.7.4 Losses for the Matching Circuit

This circuit is used to match the impedance at the feed of the antenna. In actuality, this circuit is also the primary cause of power loss. In addition, this circuit takes up additional space on the board, adding to the total area required for the antenna. If however, the antenna's impedance is matched with the characteristic impedance from the beginning, there is no need for this circuit. > **We do not use matching circuits, but instead have the ability to tune the antenna to match the impedance.**