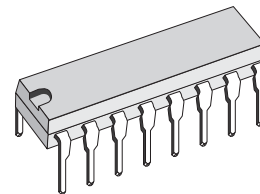


HORIZONTAL DEFLECTION POWER DRIVER

- CONTROLLED DRIVING OF THE POWER TRANSISTOR DURING TURN ON AND OFF PHASE FOR MINIMUM POWER DISSIPATION AND HIGH RELIABILITY
- HIGH SOURCE AND SINK CURRENT CAPABILITY
- DISCHARGE CURRENT DERIVED FROM PEAK CHARGE CURRENT
- CONTROLLED DISCHARGE TIMING
- DISABLE FUNCTION FOR SUPPLY UNDER VOLTAGE AND NONSYNCHRONOUS OPERATION
- PROTECTION FUNCTION WITH HYSTERESIS FOR OVERTEMPERATURE
- OUTPUT DIODE CLAMPING
- LIMITING OF THE COLLECTOR PEAK CURRENT OF THE DEFLECTION POWER TRANSISTOR DURING TURN ON PERIOD
- SPECIAL REMOTE FUNCTION WITH DELAY TIME TO SWITCH THE OUTPUT ON

The current source characteristic of this device is adapted to the on-linear current gain behaviour of the power transistor providing a minimum power dissipation. The TDA8140 is internally protected against short circuit and thermal overload.



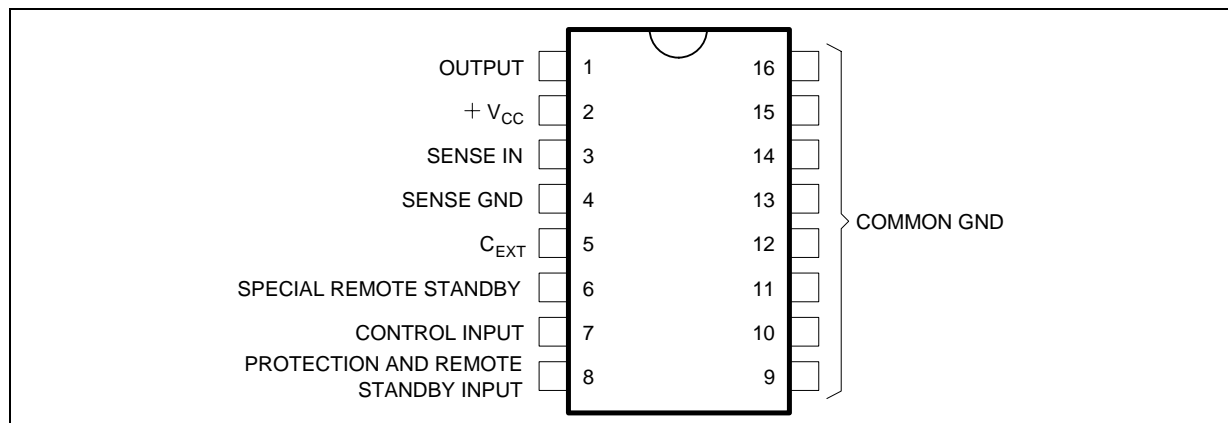
POWERDIP (8 + 8)
(Plastic Package)

ORDER CODE : TDA8140

DESCRIPTION

The TDA 8140 is a monolithic integrated circuit designed to drive the horizontal deflection power transistor.

PIN CONNECTIONS



8140-01.EPS

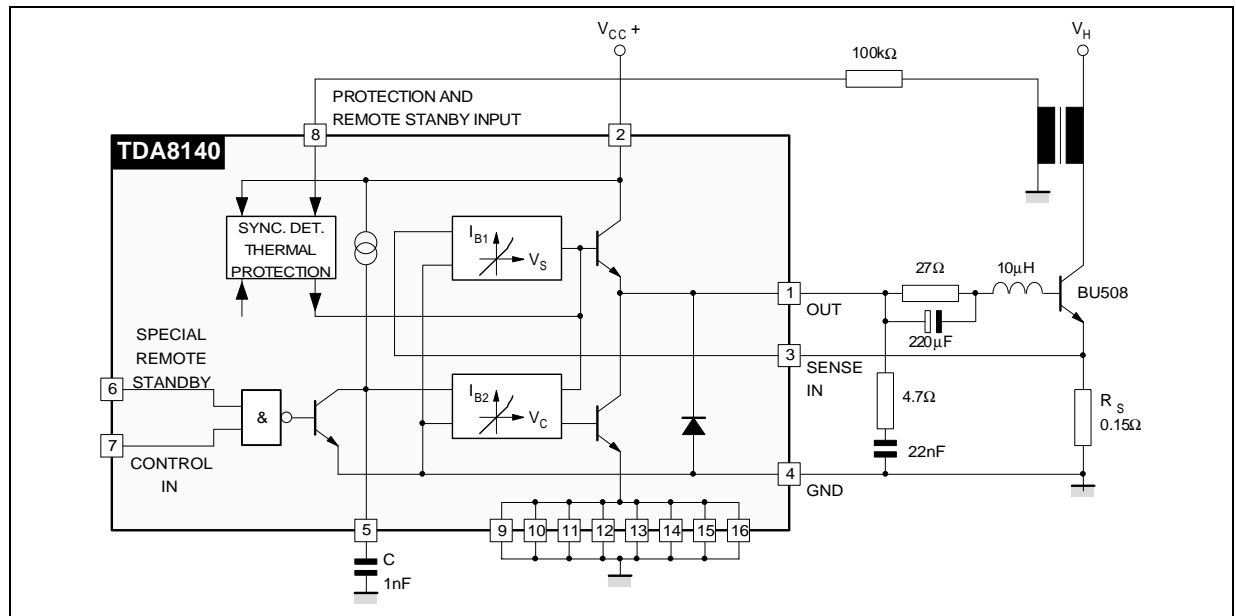
TDA8140

PIN FUNCTION

| Pin | Name | Function |
|------|-------------------------------------|--|
| 1 | Output | Device Output |
| 2 | V _{CC} | Supply Voltage |
| 3 | Sense Input | Input voltage that determines output current. |
| 4 | Sense GND | Reference Ground for Input Voltage at Sense Input |
| 5 | C _{EXT} | Capacitor between this terminal and Sense Ground determines the current slope di/dt during off phase. |
| 6 | Special Remote/Standby | Low level at this input sets the device after a delay time t_{dr} in the standby mode independent from control input (2nd priority) (in standard applications pin 6 must be left unconnected). |
| 7 | Control Input | High level at this input switches the BU508 off, low level switches the BU508 on. |
| 8 | Protection and Remote Standby Input | A high level at this input switches the BU508 off independent from all other inputs (1st priority). |
| 9-16 | Power Ground | Common Ground |

8140-01.TBL

BLOCK DIAGRAM



8140-02.EPS

ABSOLUTE MAXIMUM RATINGS

| Symbol | Parameter | Value | Unit |
|-----------------------------------|----------------------------------|--------------------|------|
| V _{CC} | DC Supply Voltage | 18 | V |
| I _d | Output Current | Internally Limited | |
| P _{tot} | Power Dissipation | Internally Limited | |
| T _{stg} , T _j | Storage and Junction Temperature | - 40, + 150 | °C |
| T _{oper} | Operating Temperature | 0, + 70 | °C |

8140-02.TBL

THERMAL DATA

| Symbol | Parameter | Value | Unit |
|------------------------|-------------------------------------|--------|------|
| R _{th j-amb} | Thermal Resistance Junction-ambient | Max 70 | °C/W |
| R _{th j-case} | Thermal Resistance Junction-case | Max 15 | °C/W |

8140-03.TBL

ELECTRICAL CHARACTERISTICS ($V_{CC} = 12V$, $T_{amb} = 25^{\circ}C$ unless otherwise specified)

| Symbol | Parameter | Test Conditions | Min. | Typ. | Max. | Unit |
|---------------------|---|---|-------------|---------------------|------------|--------------------------|
| V_{CC} | Supply Voltage | | 7 | | 18 | V |
| I_Q | Quiescent Current | All Inputs Open | 10 | 15 | 25 | mA |
| I_{p0} | Positive Output Current (source) | | 1.5 | | | A |
| I_{n0} | Negative Output Current (sink) | | 2 | | | A |
| I_{o0} | Positive quiescent output current forcing the output to 6 V and the sense input to ground, output externally forced to 6V | Remote Input 1 Remote Input 0 | 120 50 | 150 80 | 200 100 | mA mA |
| G_{ON} | Transconductance ON Phase (1) | See Figure 1 | 1.8 | 2.0 | 2.2 | A/V |
| G_{OFF} | Transconductance OFF Phase (2) | See Figure 1 | 1.8 | 2.0 | 2.2 | A/V |
| G_{REMOTE} | Transconductance Standby Mode | Remote Input 0 | 0.675 | 0.75 | 0.825 | A/V |
| I_5 | Current Source Pin 5 | $V_6 = 500mV$ | 135 | 165 | 200 | μA |
| R_{INS} | Sense Input Resistance | $V_S > 0$ $V_S < 0$ | 0.7 0.35 | 1 0.5 | 1.3 0.7 | k Ω k Ω |
| I_{INS} | Sense Input Bias Current | $V_S = 0$, Remote Input 1 | -200 | -300 | -400 | μA |
| R_{SYN} | Synchronous Detection Input Resistance | $V_{SYN} < 7V$ $V_{SYN} > 7V$ | 30 7 | 60 10 | 150 15 | k Ω k Ω |
| V_{THS} | Threshold Voltage of the Synchronous Detection Input | | 1 | 1.8 | 2.8 | V |
| V_{SYN} | Sync Detect Input Voltage | | | | 30 | V |
| V_{THA} | Threshold Voltage of Control Input | | 1.5 | 2 | 2.5 | V |
| I_{INA} | Pull up Current of Control Input | $0 < V_{IN} < V_{THA}$ $V_{IN} > V_{THA} + 0.5V$ | -50 -1 | -100 0 | -160 +1 | μA μA |
| V_{THB} | Threshold Voltage Remote Input | | 1.5 | 2 | 2.5 | V |
| I_{INB} | Pull up Current of the Remote Input | $0 < V_{IN} < V_{THB}$ $V_{IN} > V_{THB} + 0.5V$ | -50 -1 | -100 0 | -160 +1 | μA μA |
| t_{dr} | Remote Delay Time (3) | | 190 | 250 | 300 | μs |
| t_{don} | On Delay Time | | | 3 | 4.5 | μs |
| $V_{CC}-V_{OUT}$ | Output Voltage Drop for $I_{p0} = 1 A$ | | 2 | 2.8 | 3 | V |
| $V_{CC ON}$ | Supply Voltage for Device "ON" | $I_o \geq 0$ | 5.8 | 6.4 | 7.0 | V |
| $V_{CC OFF}$ | Supply Voltage for Device "OFF" (output internally switched to ground) | | 5.6 | $V_{CC ON} - 0.2 V$ | 6.8 | V |
| $V_S \text{ limit}$ | Sense Limit Voltage (4) | | 0.8 | 0.9 | 1 | V |

- Notes :**
- G_{ON} is measured with V_3 varying from 150mV to 350mV (Pin 5 is grounded)
 - G_{OFF} is measured with V_5 varying from 150mV to 350mV (Pin 3 is grounded)
 - When the remote input goes from HIGH to LOW the BU508 is switched off and it remains in this condition for the time t_{dr} .
 - The sense input voltage V_S is internally limited and results in a limited positive output current $I_{p0} = g V_S \text{ limit}$. Note that due to the storage time t_S of the BU508 limiting of V_S leads to a reduced base current of the BU508 and the output current I_o is going to the positive quiescent current I_{o0} .

TRUTH TABLE

| Logic Inputs | | Output I_o | Mode |
|--------------------|--------------------------------|---|-------------------------|
| Control Input | Remote/Standby | | |
| 0 Floating or 1 | Floating or 1 Floating or 1 | $I_o > 0$ BU508 ON $I_o < 0$ (5) BU508 OFF | Normal Function |
| X | 0 | $I_o < 0$ (5) $0 < t < t_{dr}$ | Remote/Standby Function |
| X | 0 | $I_o > 0$ $t > t_{dr}$ | |

Note : 5. $I_o < 0$ means that the sink current flows into the output to ground.

Figure 1 : $\frac{G_{ON}}{V_{Pin3}}$ and $\frac{|G_{OFF}|}{V_{Pin5}}$

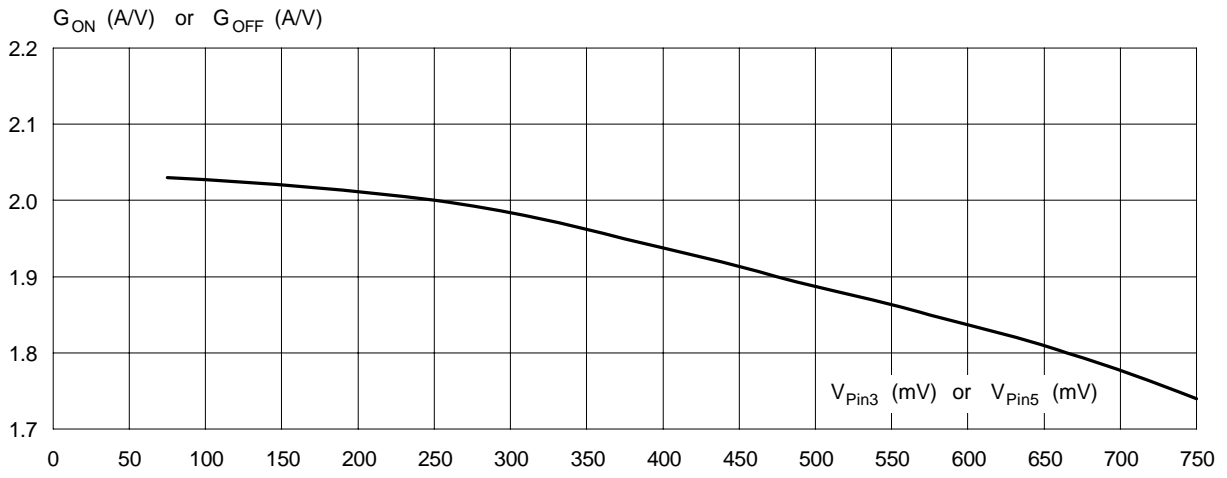


Figure 2 : Large Screen Application

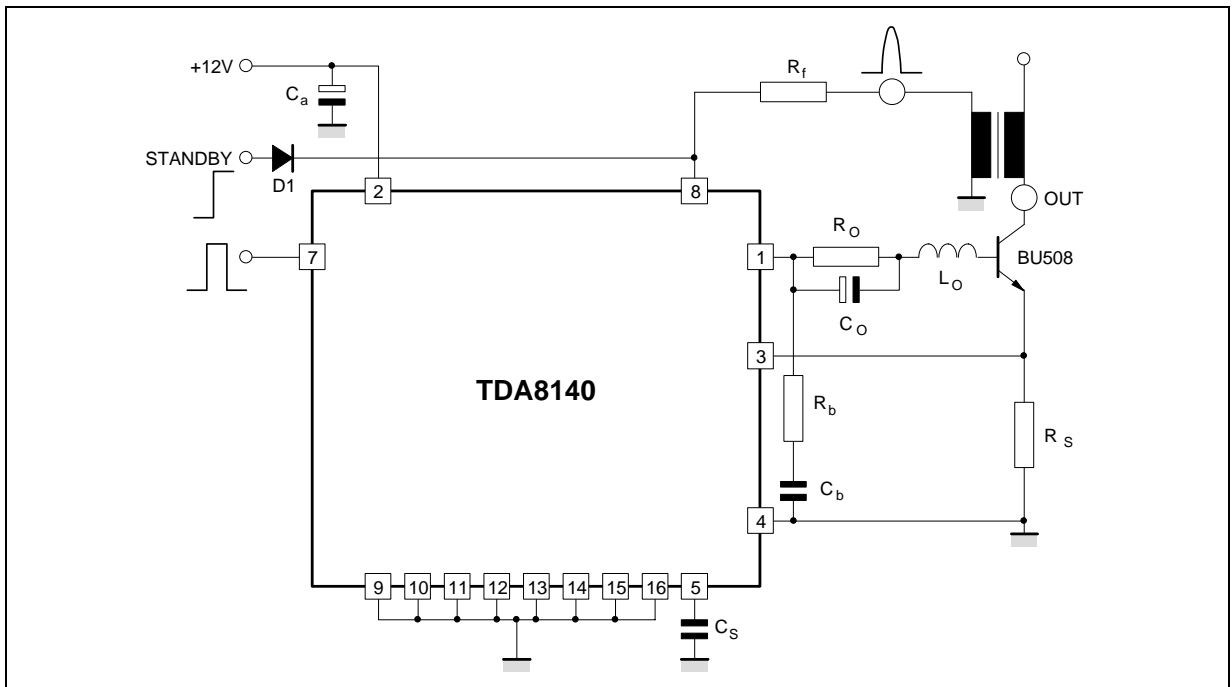
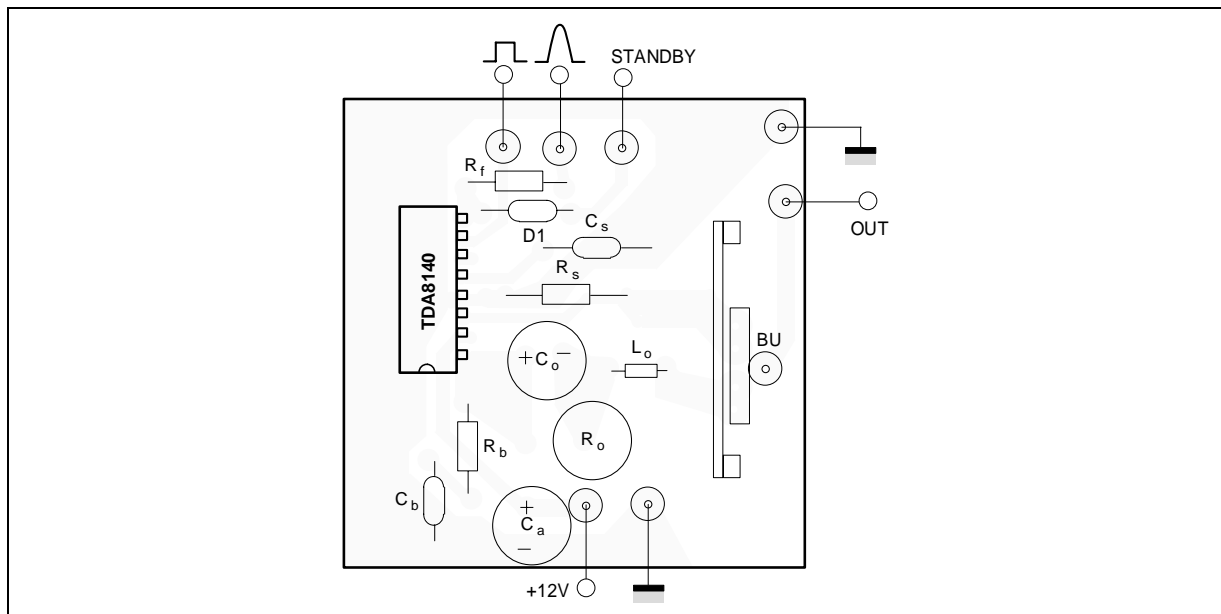


Figure 3 : P.C. Board and Components Layout of the Figure 2 (1 : 1 scale)



8140-05.EPS

COMPONENTS LIST FOR TYPICAL APPLICATION

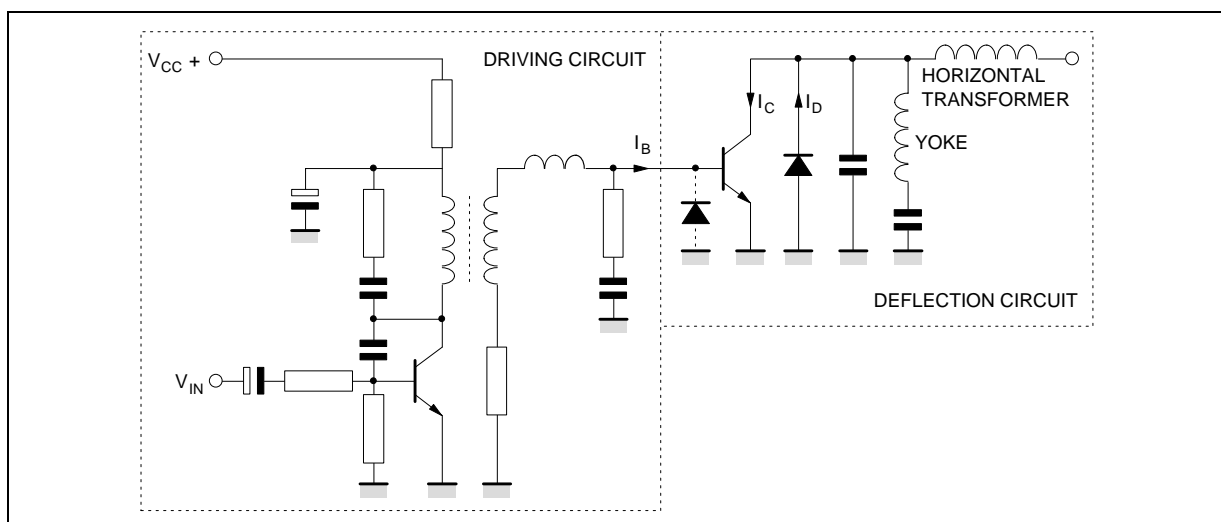
| CRT | 22"/26" 100° | 14"/20" 90° | CRT | 22"/26" 100° | 14"/20" 90° |
|-----|--------------|-------------|-----|--------------|-------------|
| Ca | 47 μF | 47 μF | Rb | 4.7 Ω | 4.7 Ω |
| Ro | 27 Ω 2W | 27 Ω 1 W | Cb | 47 nF | 47 nF |
| Co | 220 μF | 220 μF | Rs | 0.15 Ω | 0.1 Ω |
| Lo | 10 μH | 10 μH | Cs | 1 nF | 1 nF |

8140-06.TBL

APPLICATION INFORMATION

The conventional deflection system is shown in Figure 4. The driving circuit consists of a bipolar power transistor driven by a transformer and a medium power element plus some passive components.

Figure 4 : Conventional Horizontal Deflection System for TVs



8140-06.EPS

During the active deflection phase the collector current of the power transistor is linearly rising and the driving circuitry must be adapted to the required base current in order to ensure the power transistor saturation.

According to the limited components number the typical approach of the present TVs provides only a rough approximation of this objective ; in Figure 5 we give a comparison between the typical real base current and the ideal base current waveform and the collector waveform.

The marked area represents a useless base current which gives an additional power dissipation on the power transistor.

Furthermore during the turn-ON and turn-OFF transient phase of the chassis the power transistor is extremely stressed when the conventional network cannot guarantee the saturation ; for this reason, generally, the driving circuit must be carefully designed and is different for each deflection system. The new approach, using the TDA 8140, overcomes these restrictions by means of a feedback principle.

As shown in Figure 5, at each instant of time the ideal base current of the power transistor results from its collector current divided by such current gain which ensure the saturation ; thus the required base current I_b can be easily generated by a feedback transconductance amplifier g_m which senses the deflection current across the resistor R_s at the emitter of the power transistor and delivers :

$$I_b = R_s \cdot g_m \cdot I_e$$

The transconductance must only fulfill the condition :

$$\frac{1}{1 + \beta_{min}} \cdot \frac{1}{R_s} < g_m < \frac{1}{R_s}$$

Where β_{min} is the minimum current gain of the transistor. This method always ensures the correct

base current and acts time independent on principle.

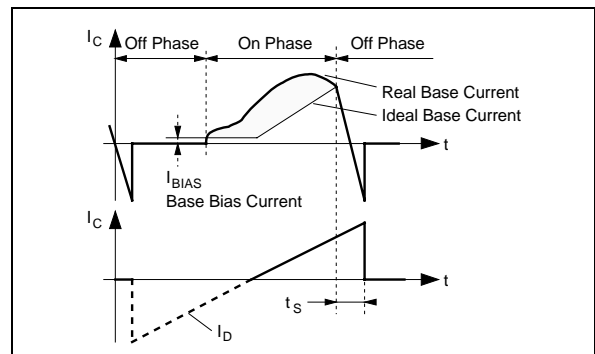
For the turn-OFF, the base of the power transistor must be discharged by a quasi linear time decreasing current as given in Figure 6.

Conventional driver systems inherently result into a stable condition with a constant peak current magnitude.

This is due to the constant base charge in the turn-ON phase independent from the collector current ; hence a high peak current results into a low storage time of the transistor because the excess base charge is a minimum and vice versa. In the active deflection the required function, high peak current-fast switch-OFF and low peak current-slow switch-OFF, is obtained by a controlled base discharge current for the power transistor ; the negative slope of this ramp is proportional to the actual sensed current.

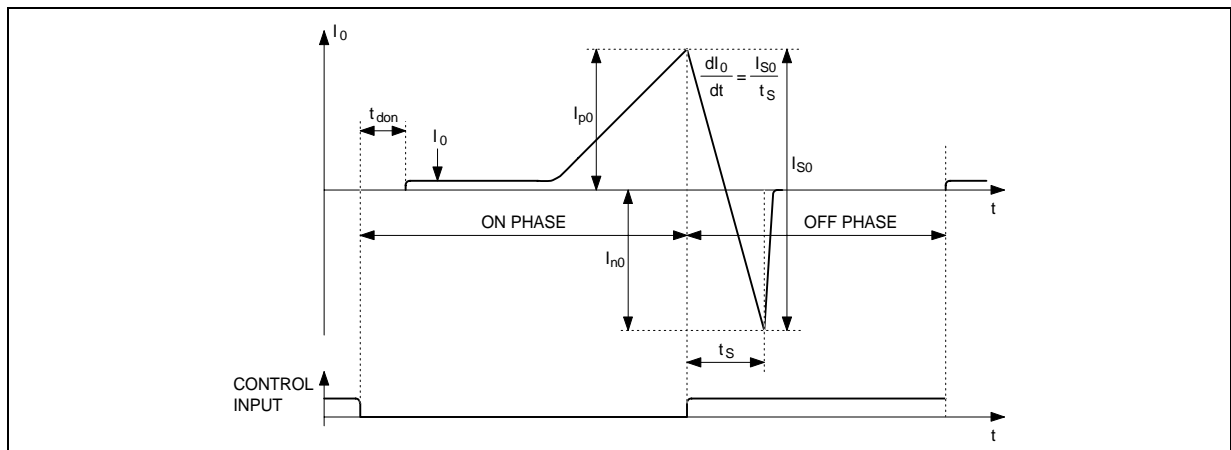
As a result, the active driving system even improves the sharpness of vertical lines on the screen compared with the traditional solution due to the increased stability factor of the loop represented as the variation of the storage time versus the collector peak current.

Figure 5 : Waveforms of Collector and Base Current



8140-07.EPS

Figure 6



8140-08.EPS

CIRCUIT DESCRIPTION

Figure 7 shows the block diagram of the TDA8140, the circuit consists of an input transconductance amplifier composed by Q1, Q2, Q3 and Q4.

The symmetrical output current is fed into the load resistor R1 and R2 ; the two amplifiers V1 and V2 realize a floating voltage to current converter which can drive 1.2A sink current and 2A source current for a wide common output range.

So, the overall transconductance results into :

$$g_m = \frac{R1 + R2}{R3} \cdot \frac{1}{R5}$$

A current source I_1 generates a drop of 70mV across the resistor R4 which provides an output bias current of 140mA ; the control input determines the turn ON/OFF function.

In the ON phase, Q5 shorts the external capacitor C_t . Within the input voltage range $0 < V_{in} < 750\text{mV}$ the element realizes the transconductance function ; lower voltages are clamped by the D1/Q6 configuration.

For input voltages higher than 750mV, Q7 limits the maximum output current at 1.5A peak.

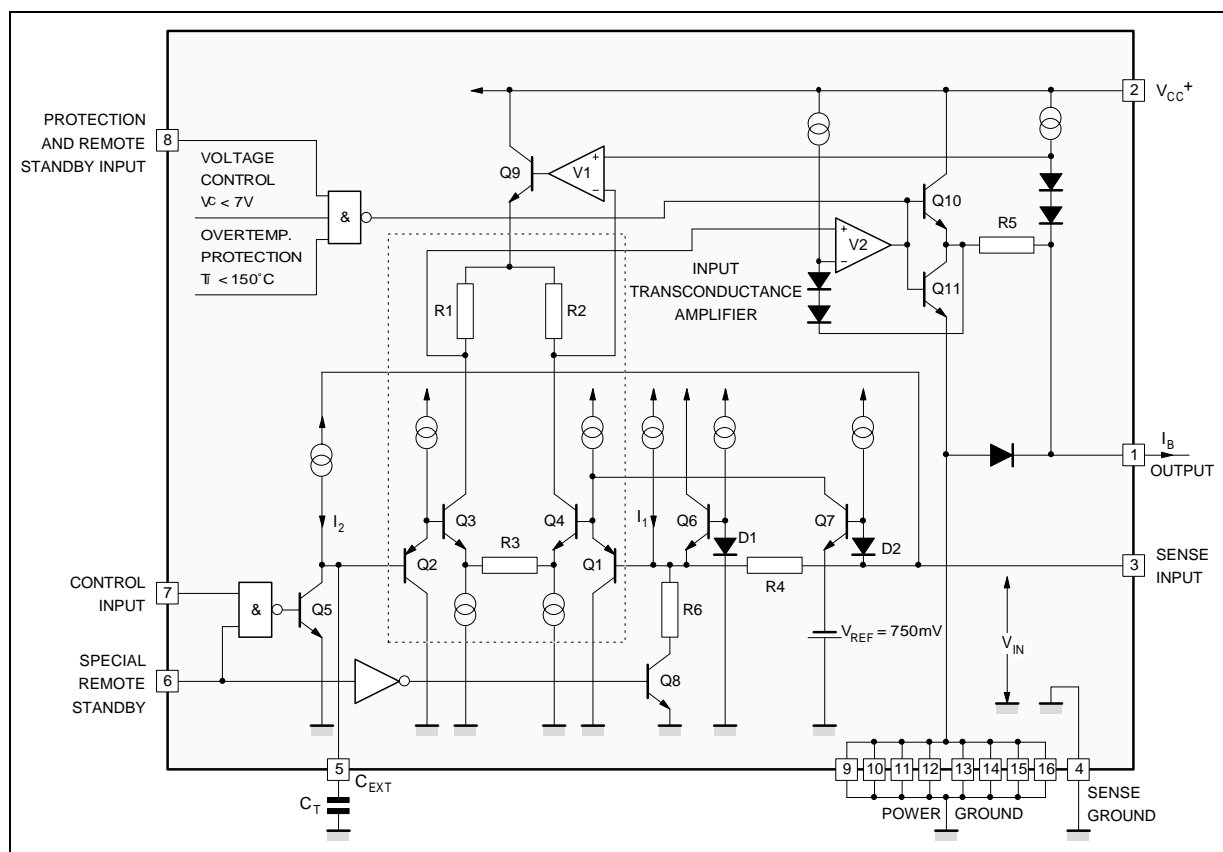
In the turn-OFF mode, C_t will be charged by the controlled source I_2 which is proportional to the input voltage, by this way, the output current decreases quasi linearly and the system stability is reached.

During the flyback phase, the IC is disabled via the sync. detector input ; this function with the limited sink and source current together with the undervoltage turn-OFF and a chip temperature sensor ensure a complete protection of the IC.

In Figure 8 is shown the application diagram of the TDA 8140, the few external component and the automatic handling possibility ensures a lower application cost versus the conventional approach shown in Figure 4.

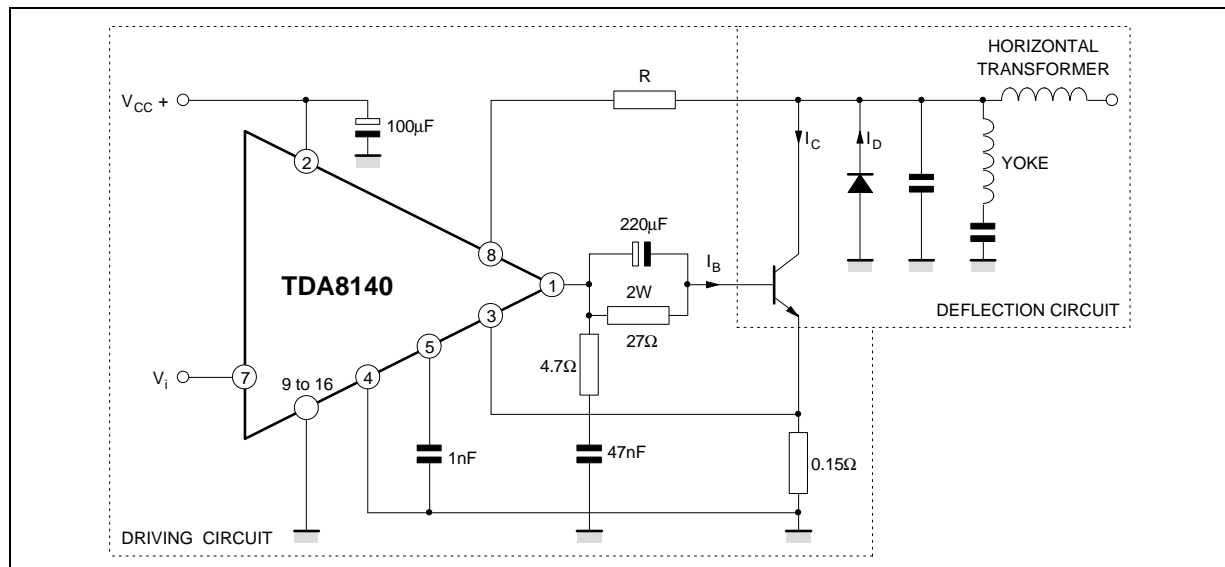
In Figure 9 is shown the currents and voltages waveforms of the driver circuit of Figure 8, as to be seen, the driving charge $I_b \cdot t_{on}$ has been reduced at minimum.

Figure 7 : Block Diagram of the Integrated Horizontal Driver



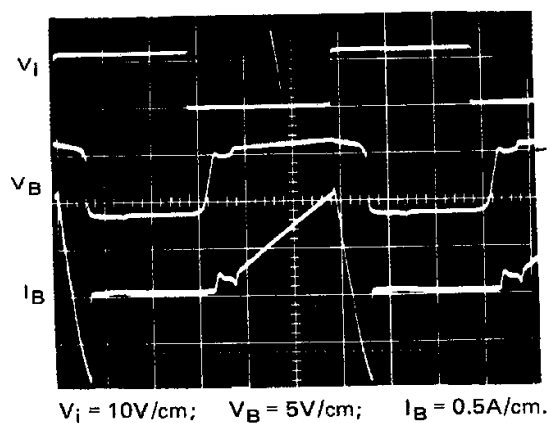
8140-09:EPS

Figure 8 : Integrated Horizontal Driver

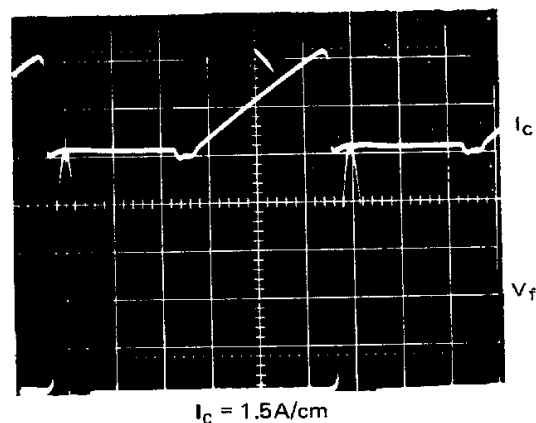


8140-10.EPS

Figure 9 : Signal Diagrams of the Driver Circuits



8140-11.TIF

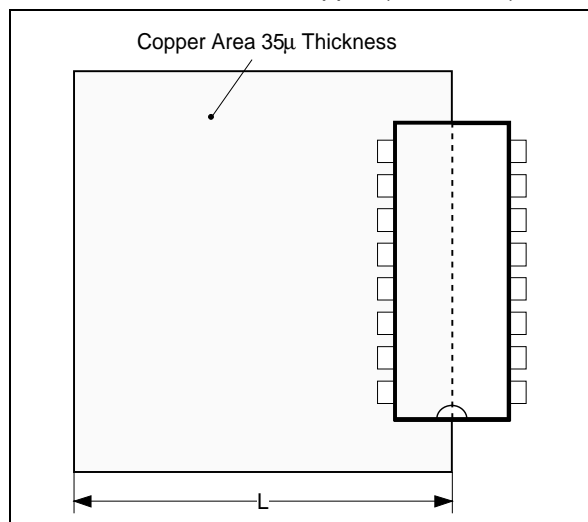


8140-12.TIF

The power dissipation on this application condition is about 1.3W and Figures 10 and 11 show two ways of heatsinking.

In the first case, a PCB copper area is used as a heatsink $L = 65\text{mm}$ while in the second case, the device is soldered to an external heatsink ; in both examples, the thermal resistance junction ambient is 35°C/W .

Figure 10 : Example of Heatsink using P.C. Board Copper ($L = 65\text{mm}$)

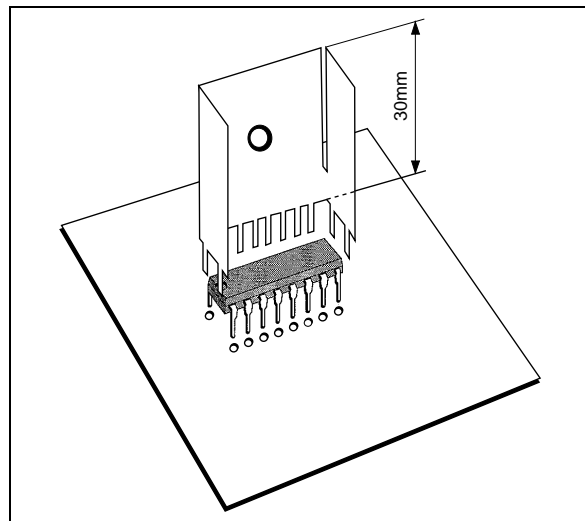


8140-13.EPS

The presence of thermal shut-down circuit does mean that the heatsink can have a smaller factor of safety compared with that of a conventional circuit.

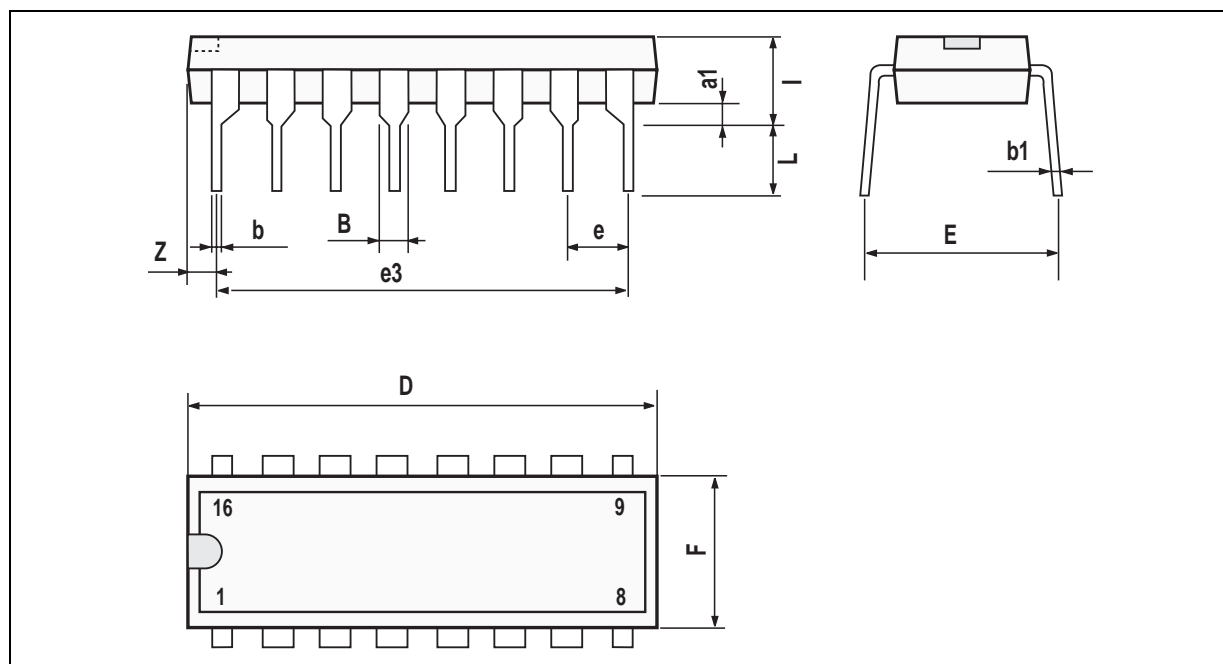
If for any reason, the junction temperature increases up to 150°C , the thermal shut-down simply switches off the device.

Figure 11 : Example of an External Heatsink



8140-14.EPS

PACKAGE MECHANICAL DATA
16 PINS - PLASTIC POWERDIP



PMDIP16W.EPS

| Dimensions | Millimeters | | | Inches | | |
|------------|-------------|-------|------|--------|-------|-------|
| | Min. | Typ. | Max. | Min. | Typ. | Max. |
| a1 | 0.51 | | | 0.020 | | |
| B | 0.85 | | 1.4 | 0.033 | | 0.055 |
| b | | 0.5 | | | 0.020 | |
| b1 | 0.38 | | 0.5 | 0.015 | | 0.020 |
| D | | | 20 | | | 0.787 |
| E | | 8.8 | | | 0.346 | |
| e | | 2.54 | | | 0.100 | |
| e3 | | 17.78 | | | 0.700 | |
| F | | | 7.1 | | | 0.280 |
| i | | | 5.1 | | | 0.201 |
| L | | 3.3 | | | 0.130 | |
| Z | | | 1.27 | | | 0.050 |

DIP16PW.TBL

Information furnished is believed to be accurate and reliable. However, SGS-THOMSON Microelectronics assumes no responsibility for the consequences of use of such information nor for any infringement of patents or other rights of third parties which may result from its use. No licence is granted by implication or otherwise under any patent or patent rights of SGS-THOMSON Microelectronics. Specifications mentioned in this publication are subject to change without notice. This publication supersedes and replaces all information previously supplied. SGS-THOMSON Microelectronics products are not authorized for use as critical components in life support devices or systems without express written approval of SGS-THOMSON Microelectronics.

© 1994 SGS-THOMSON Microelectronics - All Rights Reserved

Purchase of I²C Components of SGS-THOMSON Microelectronics, conveys a license under the Philips I²C Patent. Rights to use these components in a I²C system, is granted provided that the system conforms to the I²C Standard Specifications as defined by Philips.

SGS-THOMSON Microelectronics GROUP OF COMPANIES

Australia - Brazil - China - France - Germany - Hong Kong - Italy - Japan - Korea - Malaysia - Malta - Morocco
The Netherlands - Singapore - Spain - Sweden - Switzerland - Taiwan - Thailand - United Kingdom - U.S.A.