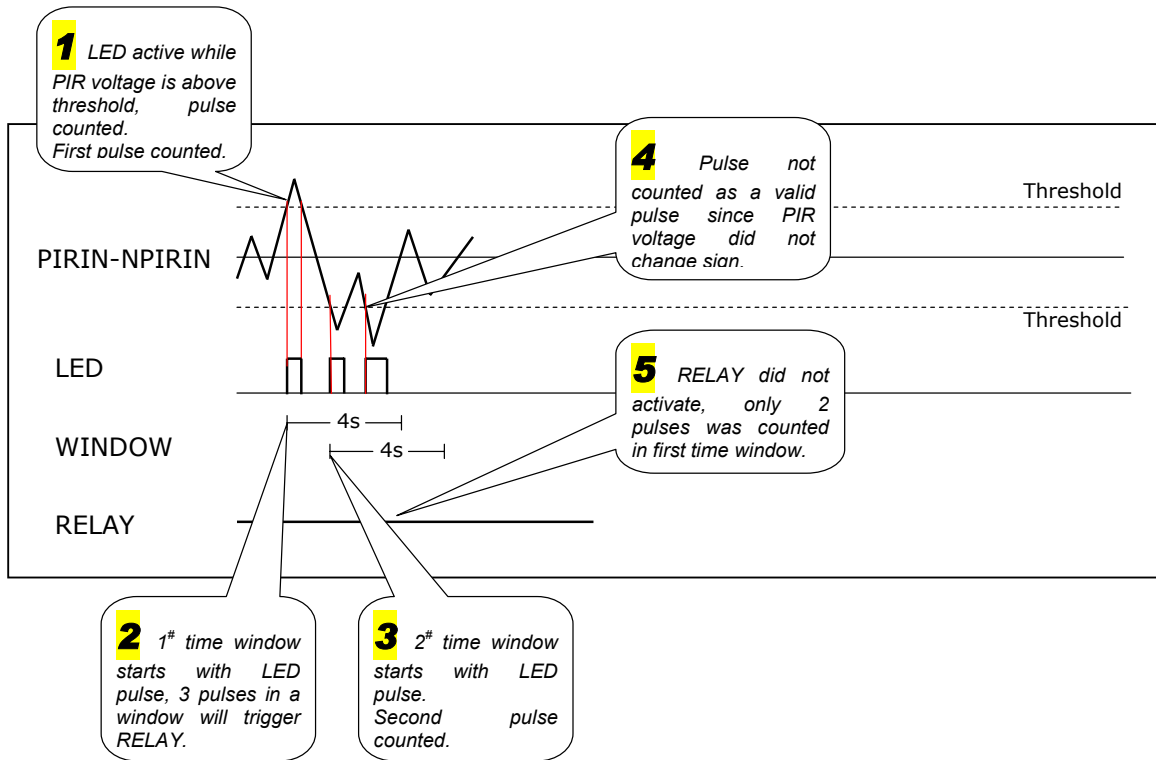


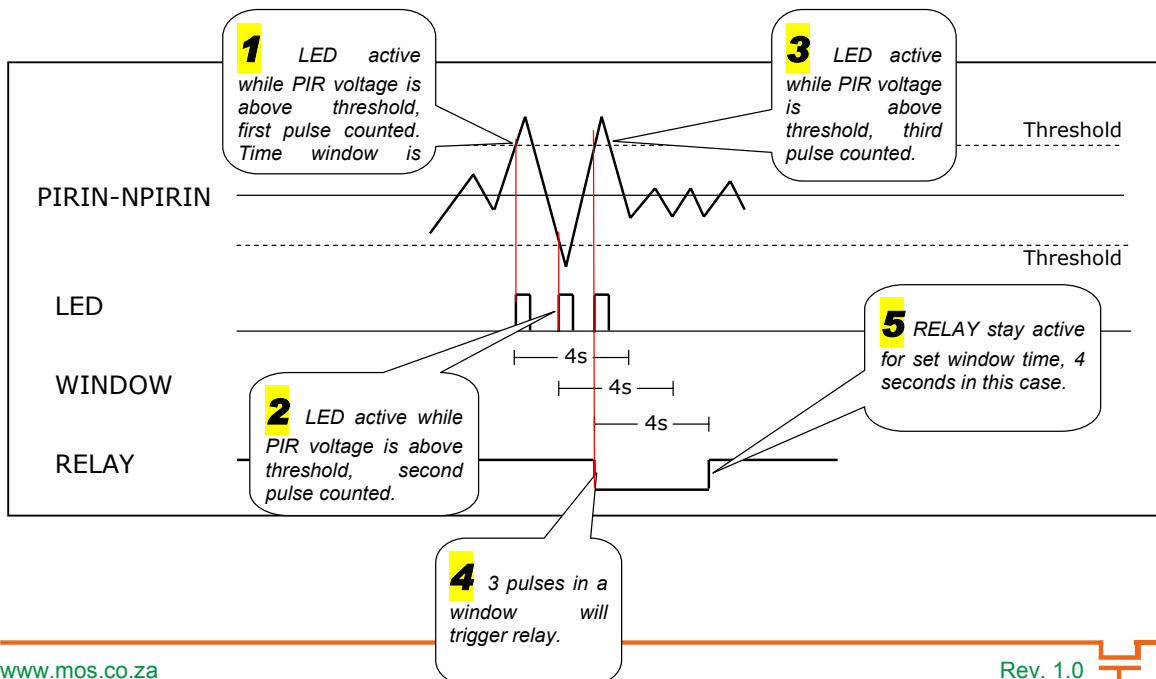
Pulse count and window time

The drawing used is the same as the example in the datasheet. The settings on the device are 3 pulses and a 4 second time window.

The first example shows how a pulse is defined, and when it is counted as a valid pulse.



The second example shows the concept of time window and how it is used.



The example below shows how the alarm condition is achieved and sustained. It also shows what happens when the alarm condition does not exist any more.

