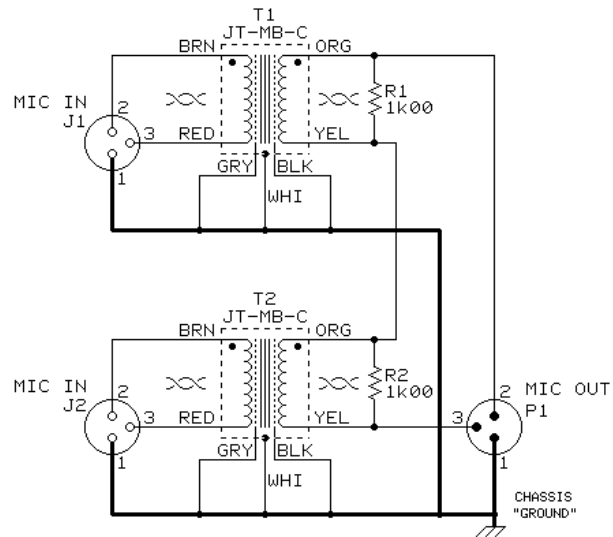


DUAL JT-MB-C MICROPHONE COMBINING CIRCUIT

THIS CIRCUIT WORKS TO COMBINE TWO MICROPHONE SIGNALS, BUT IS NOT RECOMMENDED UNLESS A MORE APPROPRIATE SOLUTION IS NOT POSSIBLE.



TIGHTLY TWIST LEAD PAIRS SHOWN AS ∞ TO MINIMIZE ELECTROMAGNETIC PICKUP

© COPYRIGHT 1992, JENSEN TRANSFORMERS, INC.

jensen

AS053

02/27/95

7135 HAYVENHURST AVE.
VAN NUYS, CALIFORNIA 91406
(818) 374-5857