

Carbon Film Resistors, General Purpose, High Voltage



FEATURES

- Ratings to 10 W, 40 kV
- Available with either radial lugs or axial leads
- Epoxy/enamel coated, with additional Mylar® heat shrink sleeve 0.002" (0.051 mm) thick
- ± 20 % tolerance standard, tolerances of ± 15 %, ± 10 % and ± 5 % available
- See models D and G for special purpose high voltage carbon film resistors
- Compliant to RoHS Directive 2002/95/EC


RoHS*
 COMPLIANT

STANDARD ELECTRICAL SPECIFICATIONS

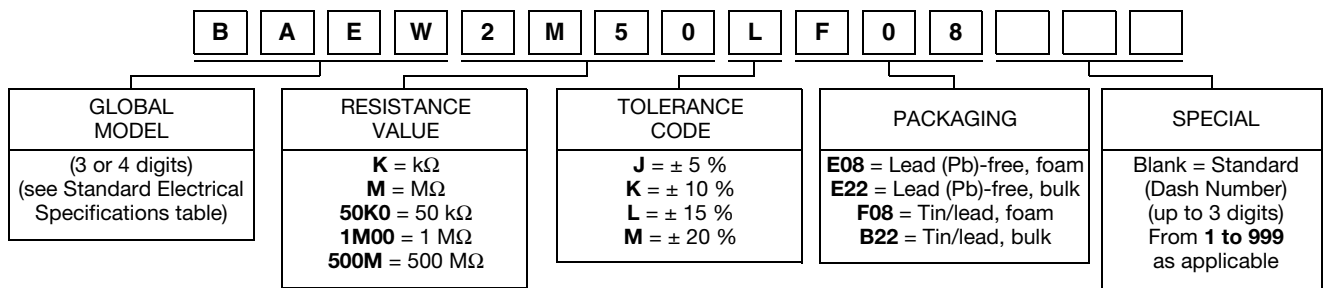
GLOBAL MODEL	POWER RATING $P_{25^\circ\text{C}}$ W	MAXIMUM WORKING VOLTAGE ⁽¹⁾ V	RESISTANCE RANGE ⁽²⁾ Ω	TOLERANCE ⁽³⁾ \pm %	STYLE
BAEW	0.5	2.5K	50K to 500M	5, 10, 15, 20	2
BAKW	1	5K	100K to 500M	5, 10, 15, 20	2
BBF	1	3.5K	50K to 500M	5, 10, 15, 20	1
BBFW	1	3.5K	50K to 500M	5, 10, 15, 20	2
BBM	2	7.5K	50K to 500M	5, 10, 15, 20	1
BBMW	2	7.5K	50K to 500M	5, 10, 15, 20	2
BBR	3	15K	100K to 500M	5, 10, 15, 20	1
BBRW	3	15K	100K to 500M	5, 10, 15, 20	2
BBV	5	30K	200K to 500M	5, 10, 15, 20	1
BFQ	4	15K	100K to 500M	5, 10, 15, 20	1
BFT	6	25K	200K to 500M	5, 10, 15, 20	1
BFW	10	40K	400K to 500M	5, 10, 15, 20	1
TAEW	0.5	3K	1M to 500M	5, 10, 15, 20	3
TAFW	1	5K	1M to 500M	5, 10, 15, 20	3
TAKW	1.5	7.5K	1M to 500M	5, 10, 15, 20	3
TAOW	2	10K	1M to 500M	5, 10, 15, 20	3
TAQW	2.5	12.5K	1M to 500M	5, 10, 15, 20	3
TARW	3	15K	1M to 500M	5, 10, 15, 20	3

Notes

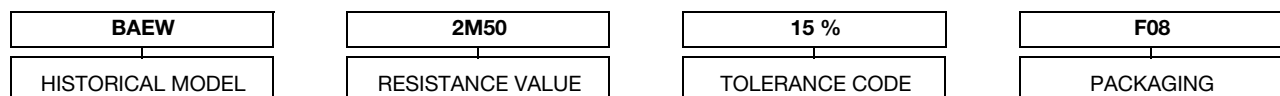
- ⁽¹⁾ Continuous working voltage shall be $\sqrt{P \times R}$ or maximum working voltage, whichever is less.
- ⁽²⁾ All resistance values are calibrated at 100 V_{DC}-calibration at other voltages available on request. Contact factory for availability of values outside the listed range.
- ⁽³⁾ ± 20 % standard, ± 5 %, ± 10 %, and ± 15 % are available.

GLOBAL PART NUMBER INFORMATION

New Global Part Numbering: **BAEW2M50LF08** (preferred part numbering format)

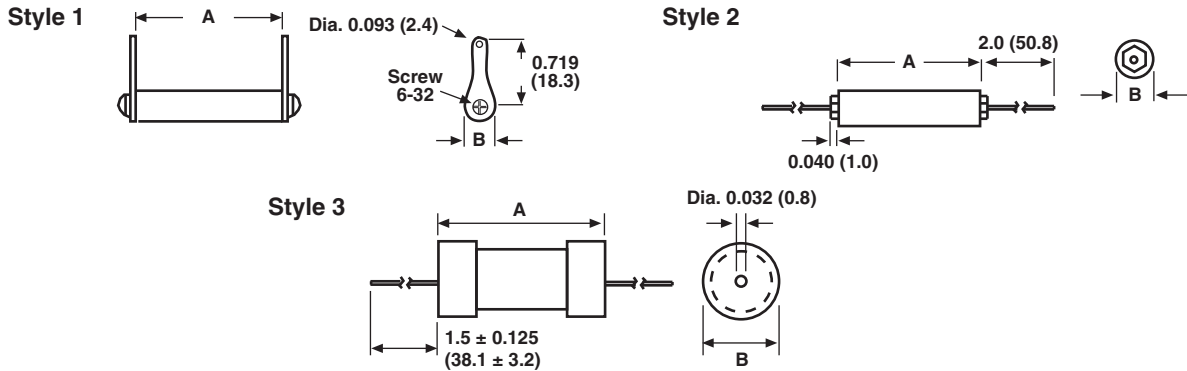


Historical Part Number example: **BAEW 2M50 15 %** (will continue to be accepted)



* Pb containing terminations are not RoHS compliant, exemptions may apply

DIMENSIONS in inches (millimeters)

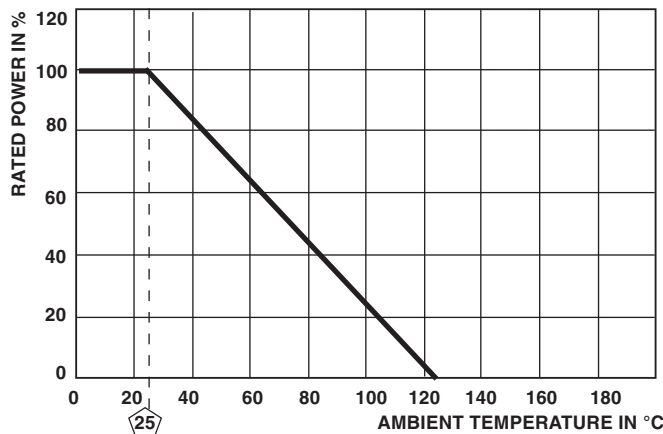


GLOBAL MODEL	STYLE	A	B
BAEW	2	0.75 (19.05)	0.250 (6.35)
BAKW	2	1.50 (38.10)	0.250 (6.35)
BBF	1	1.00 (25.40)	0.313 (7.95)
BBFW	2	1.00 (25.40)	0.313 (7.95)
BBM	1	1.75 (44.45)	0.313 (7.95)
BBMW	2	1.75 (44.45)	0.313 (7.95)
BBR	1	3.00 (76.20)	0.313 (7.95)
BBRW	2	3.00 (76.20)	0.313 (7.95)
BBV	1	5.50 (139.70)	0.313 (7.95)
BFQ	1	2.50 (63.50)	0.563 (14.30)
BFT	1	4.00 (101.60)	0.563 (14.30)
BFW	1	6.50 (165.10)	0.563 (14.30)
TAEW	3	0.80 ± 0.05 (20.30 ± 1.30)	0.275 ± 0.020 (7.00 ± 0.50)
TAFW	3	1.05 ± 0.05 (26.70 ± 1.30)	0.275 ± 0.020 (7.00 ± 0.50)
TAKW	3	1.55 ± 0.05 (39.40 ± 1.30)	0.275 ± 0.020 (7.00 ± 0.50)
TAOW	3	2.05 ± 0.05 (52.10 ± 1.30)	0.275 ± 0.020 (7.00 ± 0.50)
TAQW	3	2.55 ± 0.05 (64.80 ± 1.30)	0.275 ± 0.020 (7.00 ± 0.50)
TARW	3	3.05 ± 0.05 (77.50 ± 1.30)	0.275 ± 0.020 (7.00 ± 0.50)

Note

- Models B axial leads are #20 AWG tinned copper. All other dimensional tolerances for styles 1 and 2, unless otherwise specified are ± 0.016" [0.406 mm] or ± 1 %, whichever is greater.

DERATING



MARKING

- DALE
- Model
- Value
- Tolerance
- Date code



Disclaimer

All product specifications and data are subject to change without notice.

Vishay Intertechnology, Inc., its affiliates, agents, and employees, and all persons acting on its or their behalf (collectively, "Vishay"), disclaim any and all liability for any errors, inaccuracies or incompleteness contained herein or in any other disclosure relating to any product.

Vishay disclaims any and all liability arising out of the use or application of any product described herein or of any information provided herein to the maximum extent permitted by law. The product specifications do not expand or otherwise modify Vishay's terms and conditions of purchase, including but not limited to the warranty expressed therein, which apply to these products.

No license, express or implied, by estoppel or otherwise, to any intellectual property rights is granted by this document or by any conduct of Vishay.

The products shown herein are not designed for use in medical, life-saving, or life-sustaining applications unless otherwise expressly indicated. Customers using or selling Vishay products not expressly indicated for use in such applications do so entirely at their own risk and agree to fully indemnify Vishay for any damages arising or resulting from such use or sale. Please contact authorized Vishay personnel to obtain written terms and conditions regarding products designed for such applications.

Product names and markings noted herein may be trademarks of their respective owners.