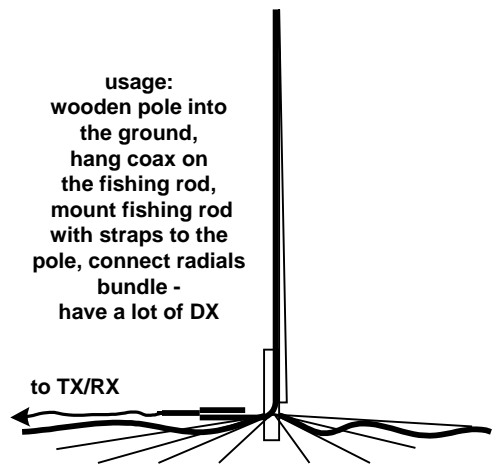
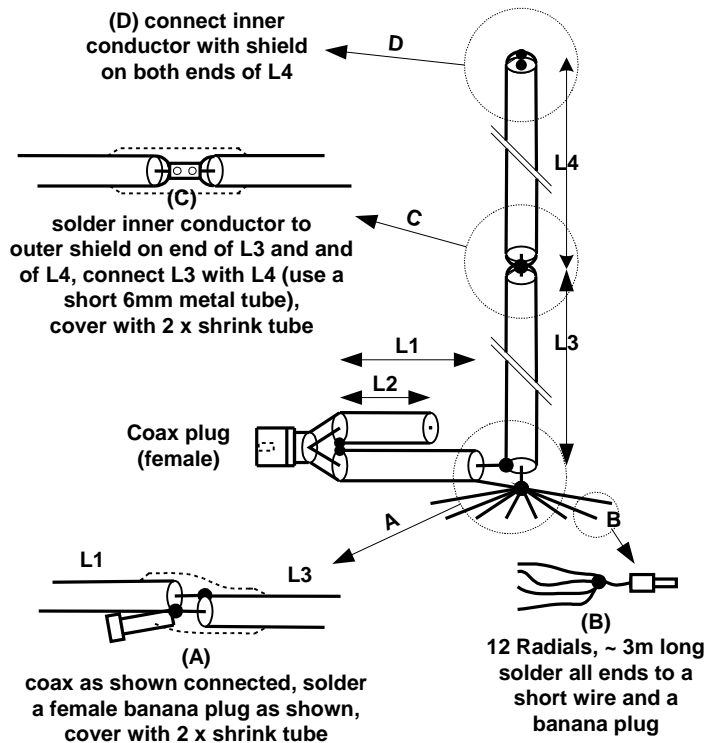


Coax Monopole Antenna

by OE1MWW
Feb. 2002



Feedpoint impedance of antenna is ~ 36 Ohms
YES, it's right, the inner conductor of L1 (feeding coax) is connected to the shield of L3 ! The radiating part of this antenna is the outside shield of L3 and L4.

L1,L2,L3,L3 is made of Coax RG/58 or RG/213

L1 & L2: use the software "coaxstub.exe" to calculate.
<http://www.qsl.net/oe1mww/coaxstub.exe>
you need VB6 runtime!

This document can be found at http://www.qsl.net/oe1mww/coax_monopole.pdf

$L3 = f/4 * V_k$
 $L4 = (f/4 * 0,95) - L3$,
tune L4 for best SWR,
important: inner conductor is connected to shield of L4 on both ends! instead of coax, you can use also a thick wire for L4.

f in meters of wavelength
Vk of coax is ~ 0,66 (RG58U)