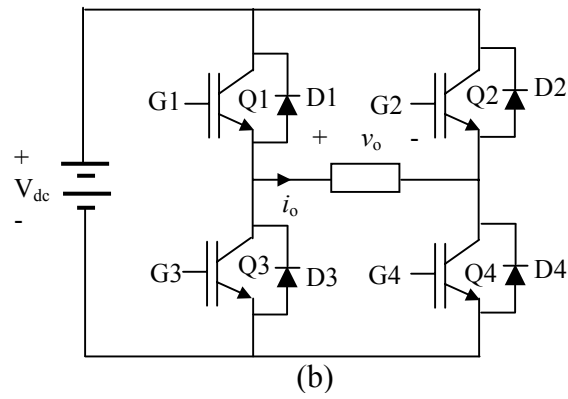
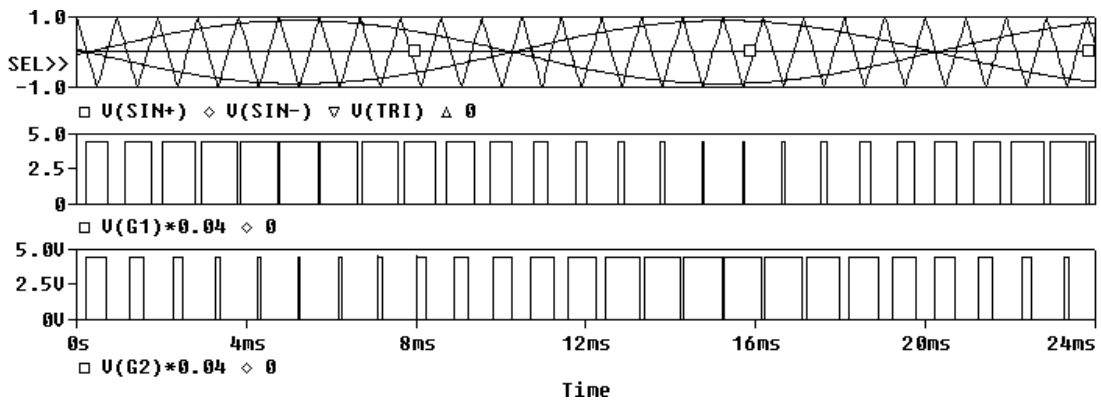
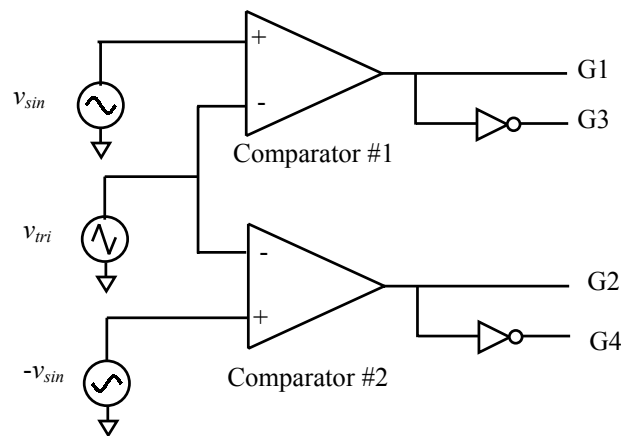


Sinusoidal PWM Generator

Inverter Circuit:



(i) SPWM-Unipolar Generator:



(ii) SPWM-Bipolar:

