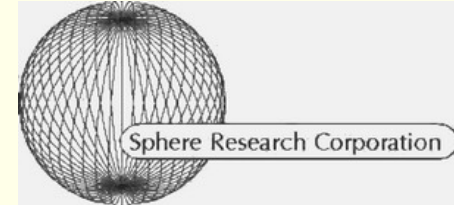
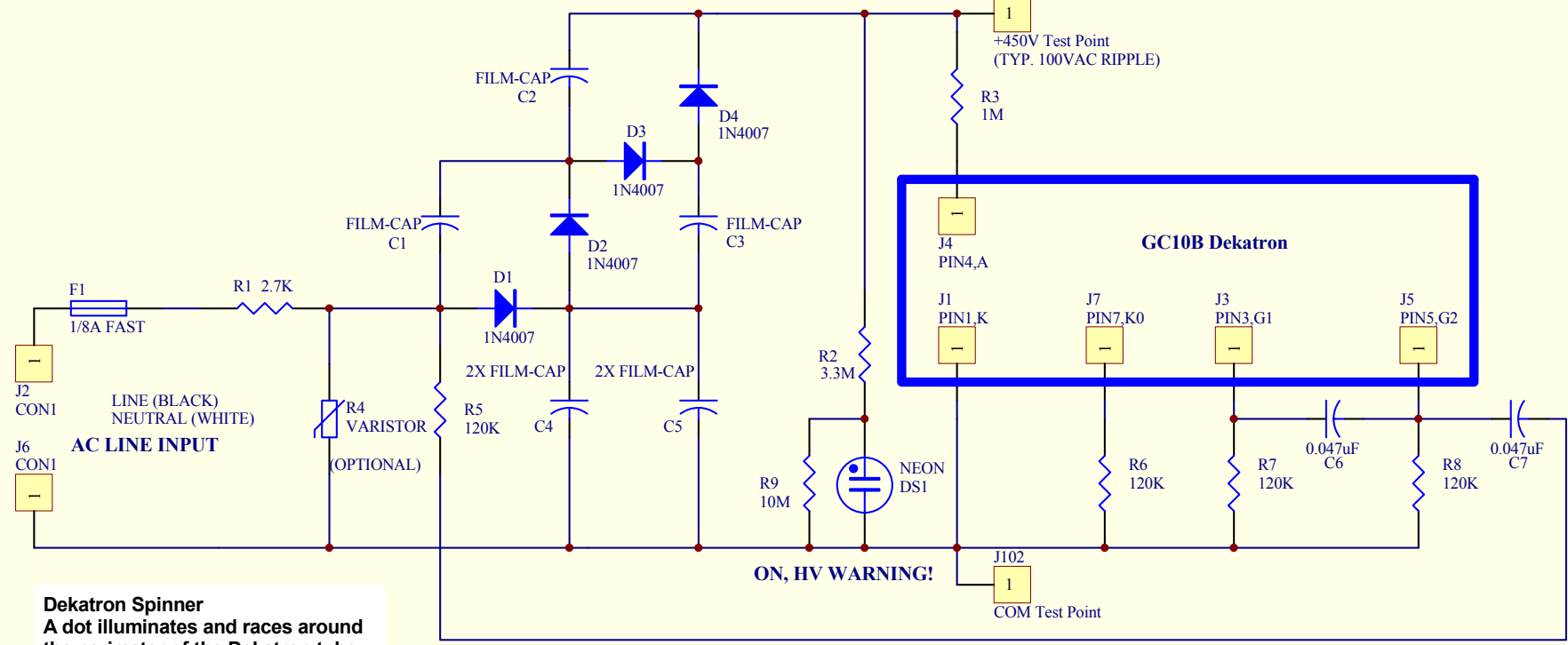


Permission for personal use and duplication expressly granted.



Copyright 2004 by Sphere Research Corporation, all rights reserved.

(OPTIONAL, CAN BE A JUMPER) **VOLTAGE MULTIPLIER, CAUTION, HIGH VOLTAGE!**



Dekatron Spinner
A dot illuminates and races around the perimeter of the Dekatron tube at the line frequency rate.

CAUTION!
Experimental circuit, dangerous **HIGH VOLTAGE** present when on **AND OFF!** Use at your own risk, and be very careful during assembly and use.

ON, HV WARNING!

Sphere Research Corporation			
Dekatron 115V/60Hz Spinner			
COPYRIGHT 2004 BY SPHERE RESEARCH, ALL RIGHTS RESERVED			
Size A	FCSM No.	DWG No. SPIN-1	Rev 1.0
Scale	Sheet 0 of 0		