

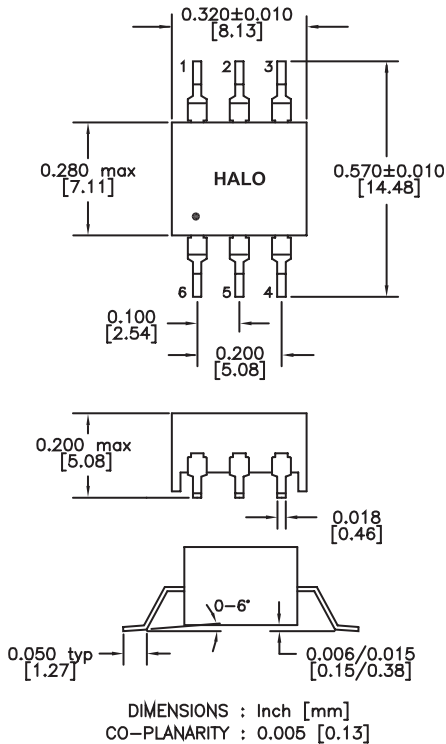
# HALO

ELECTRONICS, INC. **SMD RF Transformers**

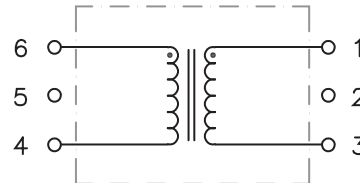
HALO is pleased to offer this SMD series of wideband RF transformers with operating bandwidth from 0.04 to 500MHz. Designed in a user friendly, auto-insertion capable, 6 pin SMD package. Through hole, 6 pin DIP versions are also available.



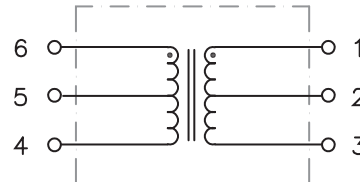
### 6 Pin SMD Package



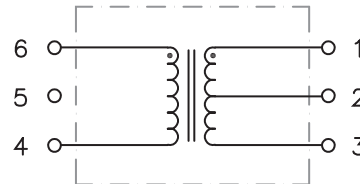
### Circuit A



### Circuit B



### Circuit C



#### Patented Construction

US Pat Nbrs: 5,656,985  
 6,297,721 B1  
 6,297,720 B1  
 6,320,489 B1  
 6,344,785 B1

#### Electrical Specifications @ 25°C

Operating Temp: -40 to +85°C  
 RF Power: 0.25 watts  
 DC Current: 30mA max.  
 Pri Pins: 4-6

Part Number SMD	Ω Ratio	Turns Ratio	Insertion Loss (MHz)			Circuit
	(PRI:SEC)	PRI:SEC +/-3%	-3dB	-2dB	-1dB	
TG01-RF10NS8	1:1	1:1	0.15-400	0.2-200	0.3-100	A
TG04-RF01NS8	1:1	1CT:1CT	0.004-300	0.02-200	0.1-100	B
TGSP-RF12NS8	1:1.5	1:1.224	0.1-300	0.2-150	0.5-80	A
TGSP-RF02NS8	1:1.5	1CT:1.224CT	0.075-500	0.2-100	1-50	B
TGSP-RF04NS8	1:3	1CT:1.732CT	0.05 - 200	0.2-50	1-30	B
TG07-RF18NS8	1:4	1:2CT	0.2 - 350	0.4-300	0.5-200	C
TG08-RF05NS8	1:4	1CT:2CT	0.1 - 300	0.2-250	0.3-180	B
TGSP-RF19NS8	1:9	1:3	0.15-200	0.3-150	2-40	A
TGSP-RF06NS8	1:16	1CT:4CT	0.1 - 45	0.14-35	1-20	B